

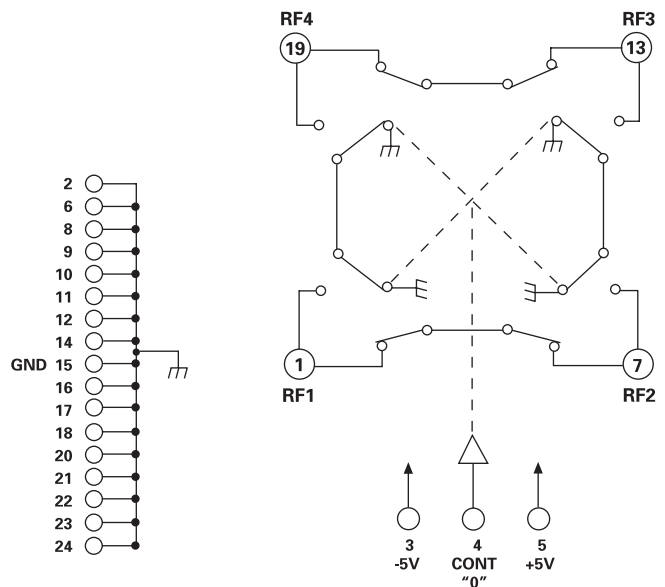
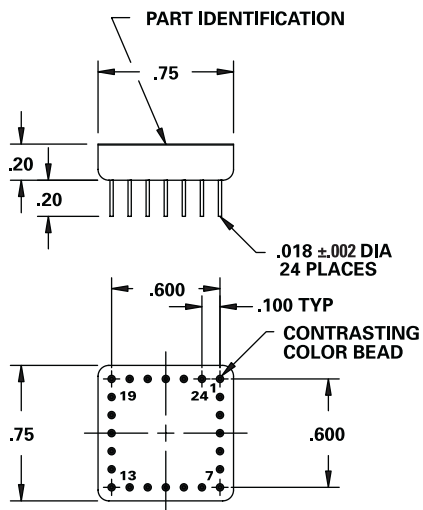
### FEATURES

- 5 - 1000 MHz
- High Intercept Points
- +21 dBm 0.1 dB Compression Point
- TTL Control
- <5mA, ±5 VDC
- 20 nSec Switching Speed

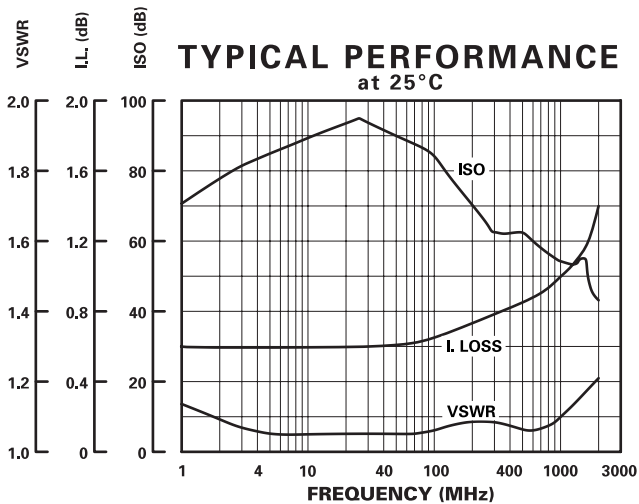


## MODEL NO. DSWT1981

### GaAs Transfer Switch



N/C=NO INTERNAL CONNECTION



**LOGIC TABLE**

CTL	FUNCTION
"1"	RF1 TO RF2
	RF3 TO RF4
"0"	RF1 TO RF4
	RF2 TO RF3

### GUARANTEED PERFORMANCE

Parameter	Min	Typ	Max	Units	Conditions
Operating Frequency	5		1000	MHz	
DC Current		2.6	6	mA	At +5 VDC Supply
		0.2	2	mA	At -5 VDC Supply
Control Type		TTL			1 Line
Control Current		1.0	±10	µA	VIH = +2.7V
		1.0	±10	µA	VIL = +0.5V
Insertion Loss		1.0	1.5	dB	
Isolation	50	62		dB	5 - 500 MHz
	45	54		dB	500 - 1000 MHz
VSWR		1.10/1	1.5/1		
Impedance		50		OHMS	
Switching Speed		30	50	nSEC	50% TTL - 90% / 10% RF
Transition (Rise/Fall) Time		12	30	nSEC	10% / 90% or 90% / 10% RF
Switching (Video) Transients		40	300	mV	Peak Value
Intercept Points	2nd	+80		dBm	6.05 / 1.55 MHz
	3rd	+47		dBm	3.025 / 1.55 MHz
RF Power	Operate	+19	+12	dBm	0.1 dB Compression
		+22	+15	dBm	1 dB Compression
	No Damage			dBm	
Operating Temperature	-55	+25	+125	°C	TA