

FEATURES

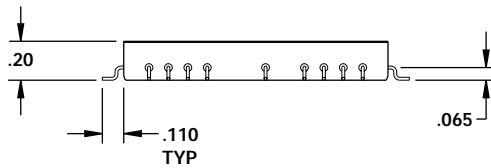
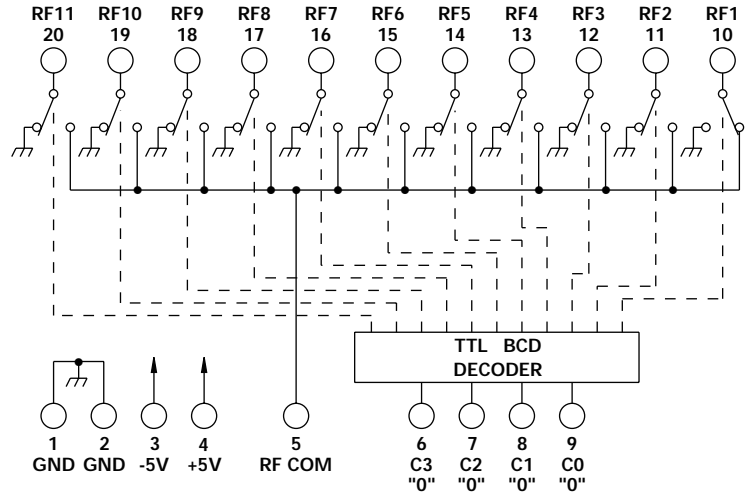
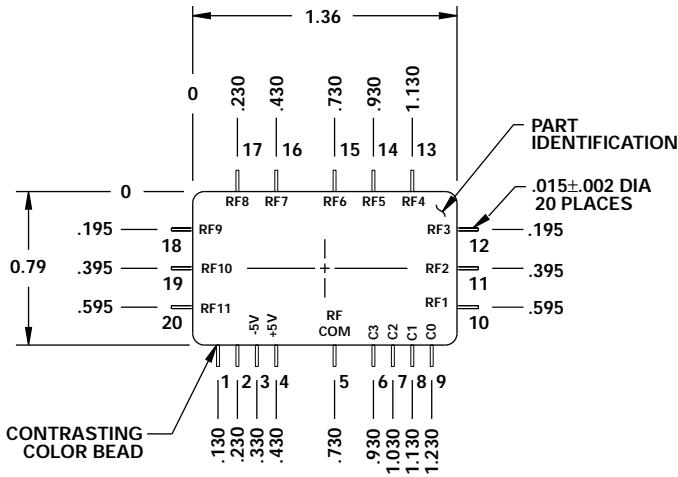
- 0.5 - 6 GHz
- 400 nSec Switching Speed
- Surface Mount



MODEL NO.
DSWM5077

Diode SP11T

SP11T



GUARANTEED PERFORMANCE

LOGIC TABLE				
C3	C2	C1	C0	RF COMMON TO
0	0	0	0	RF1
0	0	0	1	RF2
0	0	1	0	RF3
0	0	1	1	RF4
0	1	0	0	RF5
0	1	0	1	RF6
0	1	1	0	RF7
0	1	1	1	RF8
1	0	0	0	RF9
1	0	0	1	RF10
1	0	1	0	RF11

Parameter	Min	Typ	Max	Units	Conditions
Operating Frequency	0.500		6	GHz	
DC Current		87 30	100 35	mA	At +5 VDC Supply At -5 VDC Supply
Control Type		TTL			4 Line See Table
Control Current			±10 ±10	µA	V _{IH} = +2.7 V V _{IL} = +0.5 V
Isolation	30	34		dB	
Insertion Loss		3.5	4.5	dB	
VSWR		1.5/1	2.0/1		
Impedance		50		OHMS	
Switching Speed		300	400	nSEC	50% TTL to 90% / 10% RF
Transition (Rise/Fall) Time				nSec	90% / 10% or 10% / 90% RF
Switching (Video) Transients				mV	Peak Value
Intercept Points				dBm	
				dBm	
RF Power		+10	+7 +23	dBm	(0.1 dB Compression)
				dBm	
Operating Temperature	-55	+25	+125	°C	TA