



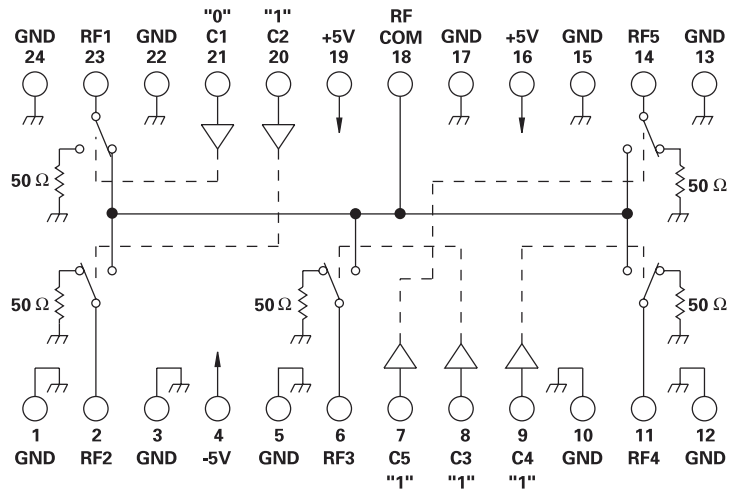
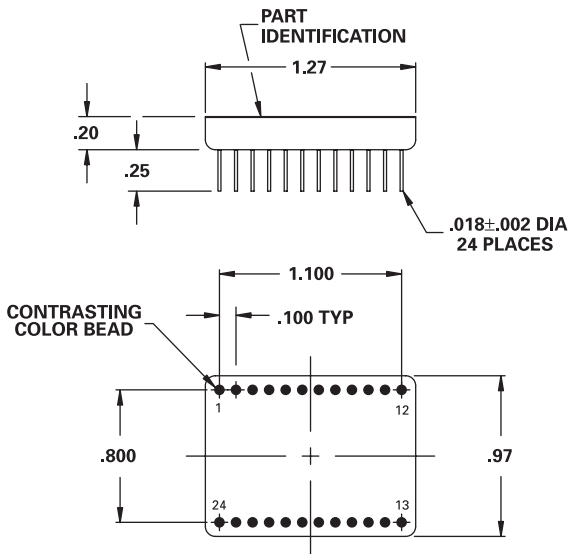
MODEL NUMBER
DSW52179

Switch SP5T

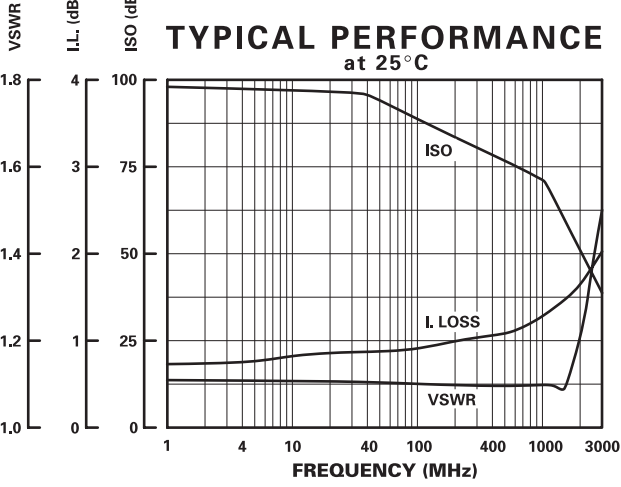
FEATURES

- DC - 1000 MHz
- 36 nSec Switching Speed
- High Isolation, 70 dB Typical
- Low DC Bias, < 1 mA Typical

SP5T



GUARANTEED PERFORMANCE



Parameter	Min	Typ	Max	Units	Conditions
Operating Frequency	DC		1000	MHz	
DC Current		0.9	8	mA	At +5 VDC Supply
		0.02	2	mA	At -5 VDC Supply
Control Type		TTL			Logic "0" = Thru
Control Current	High	0		μA	V _{IH} = +2.7V
	Low	0		μA	V _{IL} = +0.5V
Isolation	80	98		dB	DC - 50 MHz
		70	78	dBm	50 - 500 MHz
		60	71	dBm	500 - 1000 MHz
Insertion Loss		1.20	1.8	dB	
VSWR	Thru	1.10/1	1.3/1		
	Termination	1.08/1	2.0/1		
Impedance		50		OHMS	
Switching Speed		36	70	nSEC	50% TTL to 90% / 10% RF
Transition (Rise/Fall) Time		5		nSEC	10% / 90% or 90% / 10% RF
Switching (Video) Transients		6		mV	Peak Value
Intercept Points	2nd	+74		dBm	450 MHz / 150 MHz
	3rd	+30	+40	dBm	225 MHz / 150 MHz
RF Power	Operate	+12	+10	dBm	DC - 300 MHz
		+17	+13	dBm	300 - 1000 MHz
	No Damage		+25	dBm	
Operating Temperature	-54	+25	+105	°C	TA