

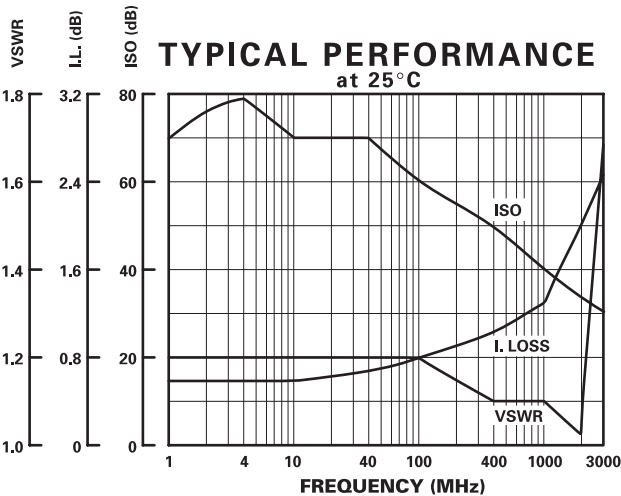
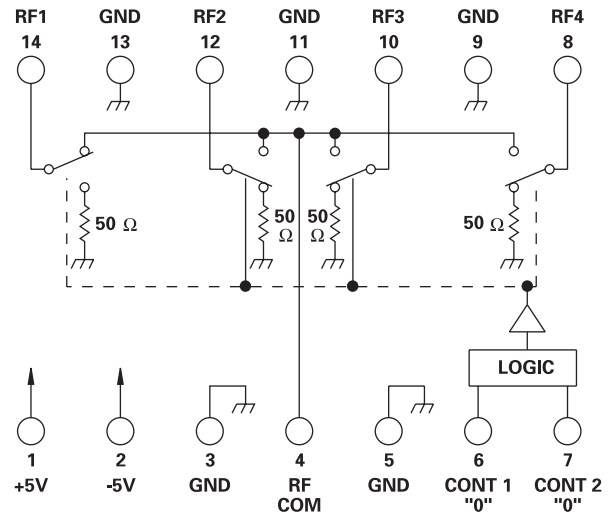
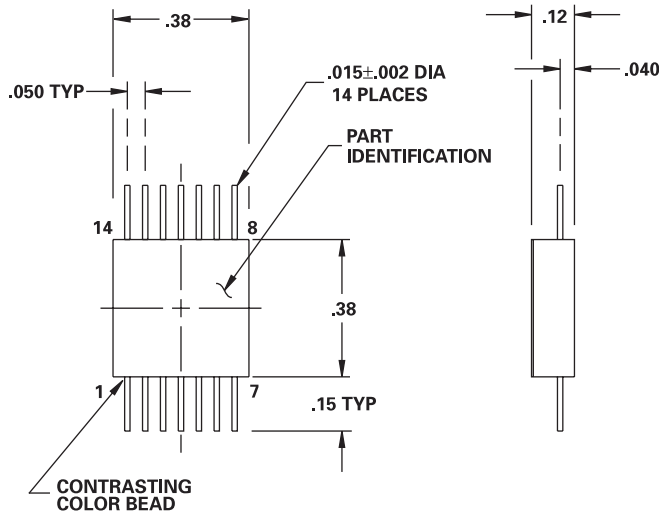
MODEL NUMBER DSW48024

GaAs SP4T

FEATURES

- DC - 2000 MHz
- Small 0.38" SQ Flatpack
- RF Common on One Side
- All RF Outputs on Opposite Side
- 2 Line TTL Control
- < 2 mA, ±5 VDC
- Non-Reflective

SP4T



LOGIC TABLE		
C1	C2	RF COM TO
0	0	RF1
1	0	RF2
0	1	RF3
1	1	RF4

GUARANTEED PERFORMANCE

Parameter	Min	Typ	Max	Units	Conditions	
Operating Frequency	DC		2000	MHz		
DC Current		0.2	3	mA	At +5 VDC Supply	
		2	5	mA	At -5 VDC Supply	
Control Type		TTL			2 Line (See Logic Table)	
Insertion Loss		1.2	2.0	dB	DC - 500 MHz	
		1.8	2.5	dB	500 - 2000 MHz	
Isolation		35	42	dB	DC - 1000 MHz	
		30	36	dB	1000 - 2000 MHz	
VSWR	Thru Termination		1.3/1	1.5/1		
			1.5/1	1.7/1		
Impedance		50		OHMS		
Switching Speed		42	60	n SEC	50% TTL to 90% / 10% RF	
RF Power	Operate		+11	+7	dBm	20 - 50 MHz
			+13	+10	dBm	50 - 2000 MHz
					dBm	(0.1 dB Compression)
	No Damage	+27	+30		dBm	(0.1 dB Compression)
Operating Temperature	-55	+25	+125	°C	TA	



DAICO Industries

310.507.3242 • FAX 310.507.5701 • www.daico.com