

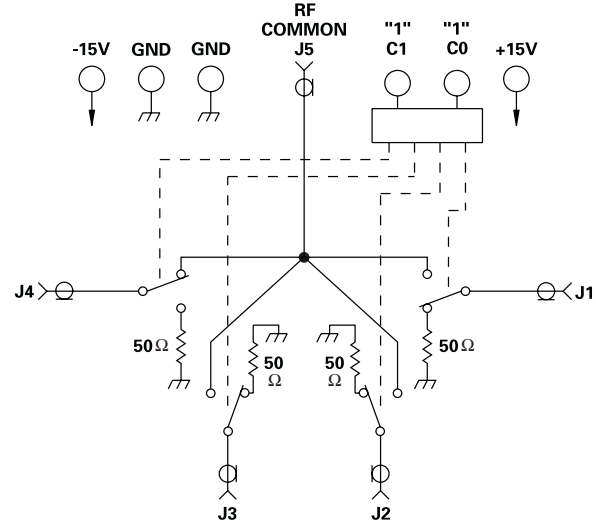
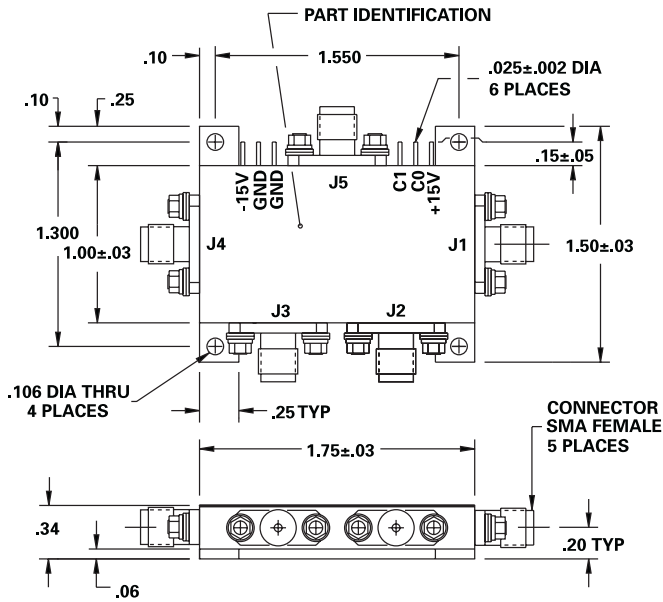
**MODEL NUMBER
DSW46218**

GaAs SP4T

FEATURES

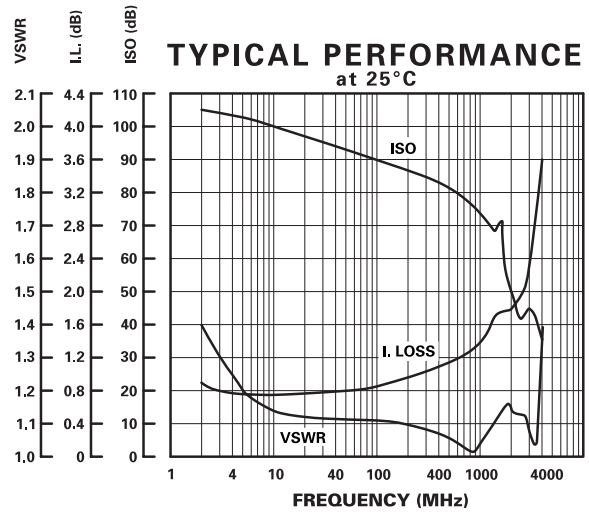
- 50-650 MHz
- Highest Intercept Points, +57 dBm
- Fastest Switching Speed, 62 nSec
- High Isolation, 80 dB
- Phase Tracking

SP4T



GUARANTEED PERFORMANCE

Parameter	Min	Typ	Max	Units	Conditions
Operating Frequency	50		650	MHz	
DC Current		10	15	mA	At +15 VDC Supply
		2	5	mA	At -15 VDC Supply
Control Type				TTL	See Logic Table
Control Current		±1	±100	µA	VIH = +2.7V
		±1	±100	µA	VIL = +0.5V
Isolation	75	80		dB	
Insertion Loss		1.14	1.5	dB	
Insertion Loss Flatness		±0.16	±0.25	dB	
Phase Tracking		±0.30	±2	deg	Port to Port, 200 - 600 MHz
Time Delay		±1.3	±5.5	psec	Port to Port, 200 - 600 MHz
Amplitude Tracking		±0.01	±0.1	dB	Port to Port
VSWR		1.1/1	1.15/1		200 - 600 MHz
		1.15/1	1.5/1		Thru Termination
Impedance		50		OHMS	
Switching Speed		62	100	nSEC	50% TTL to 90% / 10% RF
Transition (Rise/Fall) Time		16		nSEC	10% / 90% or 90% / 10% RF
Switching Transients		-92		dBm	In 3KHz BW At 1KHz PRF
Intercept Points		2nd +100		dBm	120 MHz / 70 MHz
		3rd +45	+57	dBm	60 MHz / 70 MHz
RF Power		Operate +22	+20	dBm	(1.0 dB Compression)
		No Damage	+27	dBm	
Operating Temperature	-55	+25	+125	°C	TA



LOGIC TABLE

C1	C0	RF PATH
0	0	J5-J1
0	1	J5-J2
1	0	J5-J3
1	1	J5-J4