

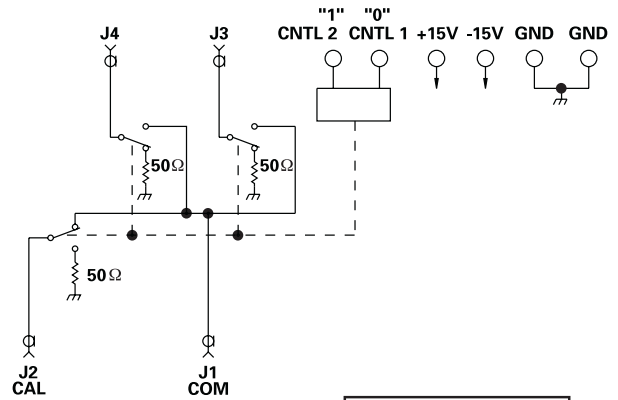
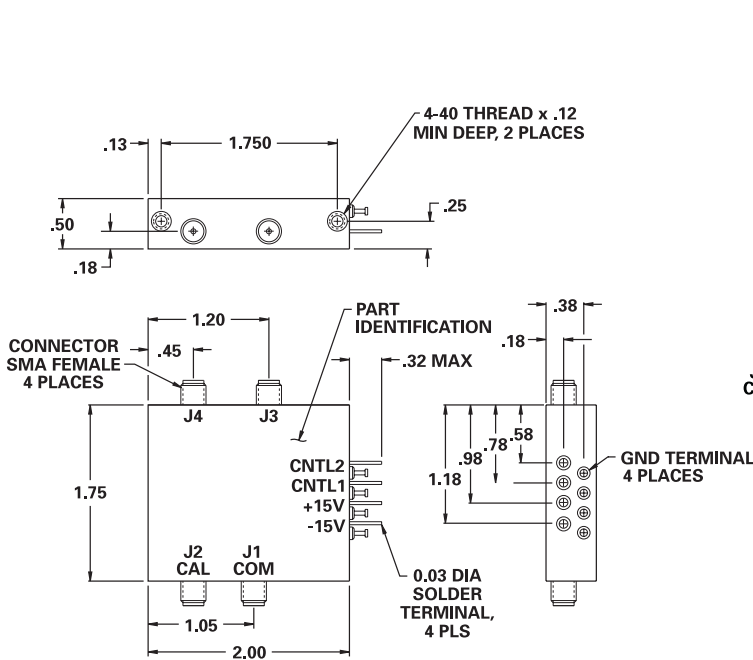
**MODEL NUMBER  
DSW36177**

**GaAs SP3T**

**FEATURES**

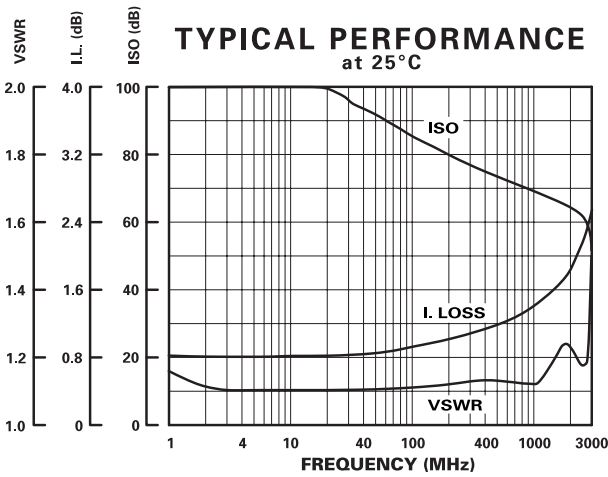
- 2-2500 MHz
- 50 dB Isolation
- +88 dBm 2nd Order Intercept Point
- +47 dBm 3rd Order Intercept Point

**SP3T**



LOGIC TABLE		
Input Ctrl		Function
Ctrl 1	Ctrl 2	
0	0	All Off
0	1	J1 - J2
1	0	J1 - J3
1	1	J1 - J4

**GUARANTEED PERFORMANCE**



Parameter	Min	Typ	Max	Units	Conditions
Operating Frequency	2		2500	MHz	
DC Current		11	30	mA	At +15 VDC Supply
		5	30	mA	At -15 VDC Supply
Control Type		TTL			2 Line, See Logic Chart
Control Current	High	±1.0	20	µA	V <sub>IH</sub> = +2.7V
	Low	±1.0	-400	µA	V <sub>IL</sub> = +0.5V
Isolation	50			dB	
Insertion Loss		1.40	1.7	dB	2 - 1000 MHz
		2.15	3	dB	1000 - 2500 MHz
Amplitude Balance		±0.1	±0.3	dB	Reference between the Calibration Port and any Input Port of the Switch
Phase Tracking: Port to Port (Max Differential)		±0.5	2	DEG	2 - 1000 MHz
		±1.0	10	DEG	1000 - 2500 MHz
VSWR	Thru	1.25/1	1.4/1		
	Termination	1.1/1	1.5/1		
Impedance		50		OHMS	
Switching Speed		4.7	10	µSEC	50% TTL to 90% / 10% RF
Transition (Rise/Fall) Time		1.5	10	µSEC	10% / 90% or 90% / 10% RF
Switching (Video) Transients		0.30	1.0	V	Com when switched to all off
Intercept Points	2nd	+60	+88	dBm	1.3 MHz / 2.3 MHz
	3rd	+30	+47	dBm	1.3 MHz / 1.6 MHz
RF Power	Operate		+20	dBm	0.1 dB Compression
	No Damage		+30	dBm	
Operating Temperature	-55	+25	+85	°C	TA