

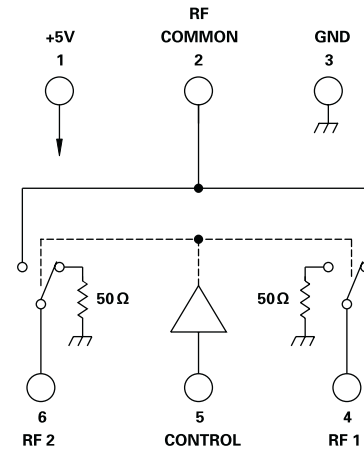
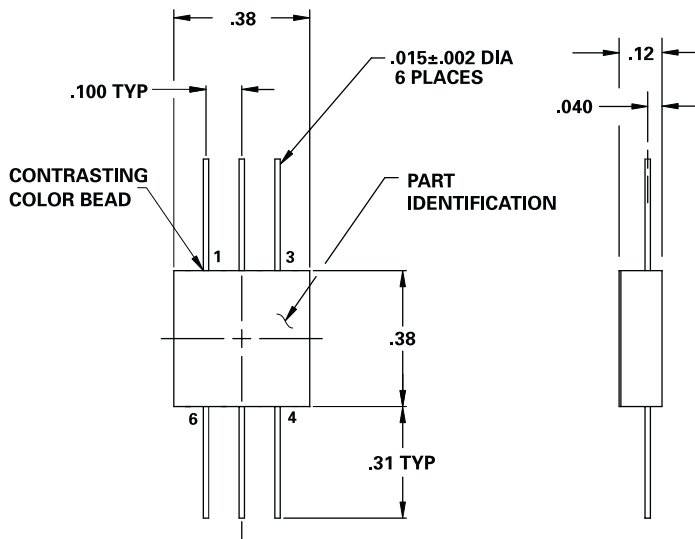
MODEL NUMBER DSW25112

SP2T Switch

FEATURES

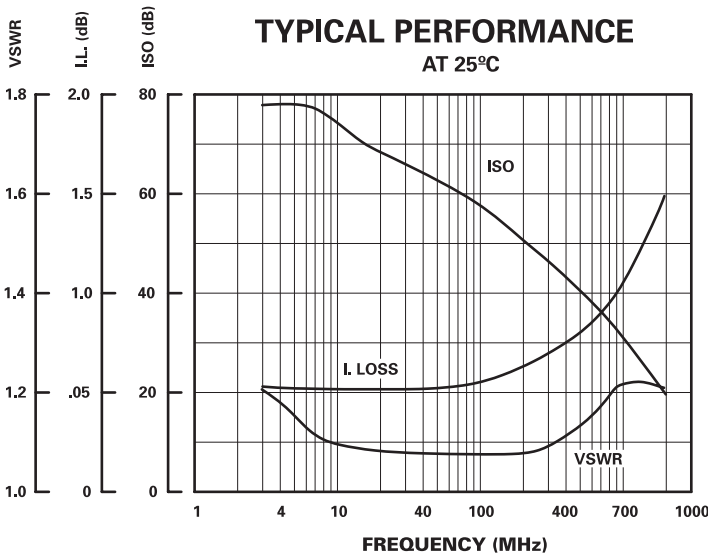
- 10-1000 MHz
- 40 nSec Switching Speed
- 1 mA max DC Current
- 0.38" x 0.38" Square Package

SP2T



GUARANTEED PERFORMANCE

| Parameter | Min | Typ | Max | Units | Conditions |
|------------------------------|--------------------|-------|-------|-------|---------------------------|
| Operating Frequency | 10 | | 1000 | MHz | |
| DC Current | | .2 | 1 | mA | At +5 VDC Supply |
| Control Type | | TTL | | | "0" = RF Com to RF 1 |
| Control Current | <i>high</i> | 0 | ±20 | µA | V _{IH} = +2.7V |
| | <i>low</i> | 0 | ±20 | µA | V _{IL} = +0.5V |
| Insertion Loss | | .7 | 1.0 | dB | 10 - 150 MHz |
| | | 1.1 | 1.5 | dB | 150 - 1000 MHz |
| Isolation | 50 | 55 | | dB | 10 - 150 MHz |
| | 40 | 47 | | dB | 150 - 300 MHz |
| | 25 | 32 | | dB | 300 - 1000 MHz |
| VSWR | <i>Thru</i> | 1.2/1 | 1.4/1 | | |
| | <i>Termination</i> | 1.4/1 | 2/1 | | |
| Impedance | | 50 | | OHMS | |
| Switching Speed | | 40 | 70 | nSec | 50% TTL - 90% / 10% RF |
| Transition Time | | 15 | | nSec | 90% / 10% or 10% / 90% RF |
| Switching (Video) Transients | | 48 | | mV | Peak Value |
| Intercept Points | <i>2nd</i> | +88 | | dBm | 70/50 MHz |
| | <i>3rd</i> | +47 | | dBm | 35/50 MHz |
| RF Power | <i>Operate</i> | +16 | +10 | dBm | 0.1 dB Comp. 10 - 100 MHz |
| | | +24 | +20 | dBm | 100 - 1000 MHz |
| | <i>Maximum</i> | | +27 | dBm | No Damage |
| Operating Temperature | -45 | | +55 | °C | TA |



DAICO Industries

310.507.3242 • FAX 310.507.5701 • www.daico.com