

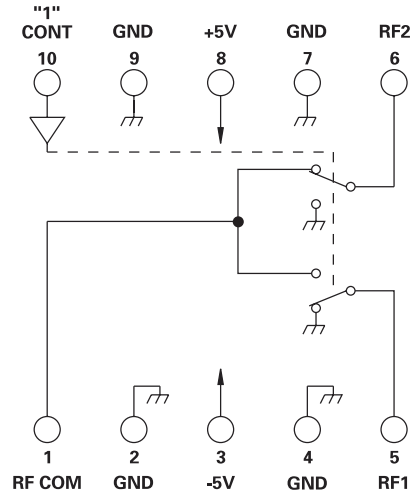
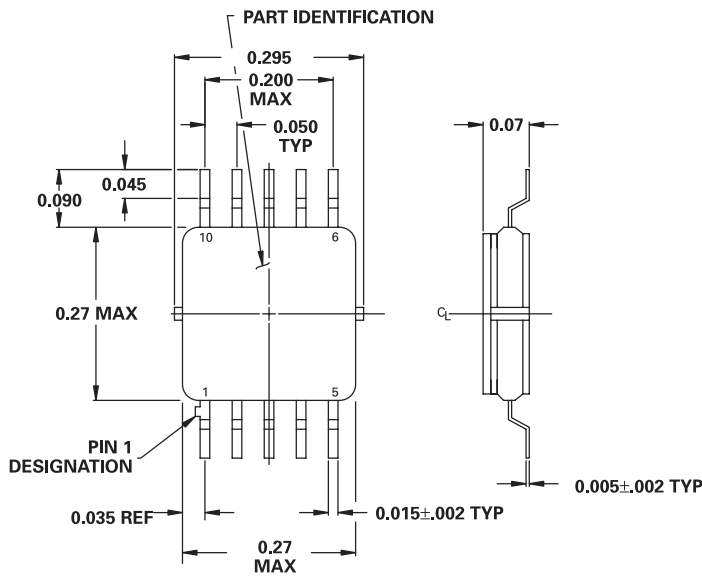
**MODEL NUMBER
DSW25038**

GaAs SP2T

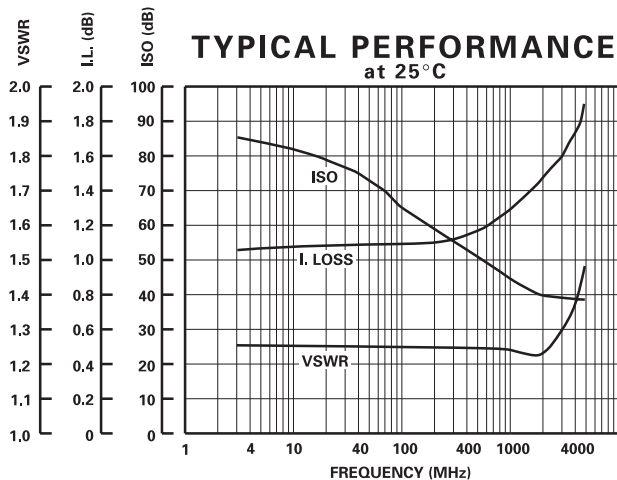
FEATURES

- DC - 2000 MHz
- 2 nSec Transition Time
- 5 nSec Switching Speed
- 10 mV Transients
- TTL Control
- Low Cost
- Ultra Small 0.270 SQ Surface Mount Package

SP2T



GUARANTEED PERFORMANCE



Parameter	Min	Typ	Max	Units	Conditions
Operating Frequency	DC		2000	MHz	
DC Current		13 10	25 20	mA	At +5 VDC Supply At -5 VDC Supply
Control Type		TTL			1 Line Logic "0" = RF Com to RF 1 Logic "1" = RF Com to RF 2
Control Current	High Low	10 10	±50 ±50	µA	V _{IH} = +2.7V V _{IL} = +0.5V
Insertion Loss		1.5 1.8	2.0 2.5	dB	DC - 1 GHz 1 - 2 GHz
Isolation	60 40 35 30	68 50 42 37		dB	DC - 100 MHz 100 MHz - 500 MHz 500 MHz - 1 GHz 1 GHz - 2 GHz
VSWR		1.3/1 1.5/1	1.5/1 1.7/1		DC - 1 GHz 1 GHz - 2 GHz
Impedance		50		OHMS	
Switching Speed		13	25	nSEC	50% TTL to 90% / 10% RF
Transition (Rise/Fall) Time		3	5	nSEC	10% / 90% or 90% / 10% RF
Switching (Video) Transients		11		mV	Peak Value
Intercept Points	2nd 3rd	+50 +23	+55 +26	dBm	150 MHz / 450 MHz 50 MHz / 70 MHz
RF Power	Operate	+4 +8 +11	0 +5 +7	dBm	0.1 dB Comp DC - 10 MHz 10 MHz - 100 MHz 100 MHz - 2 GHz No Damage
Operating Temperature		-55 +25	+85	°C	TA