

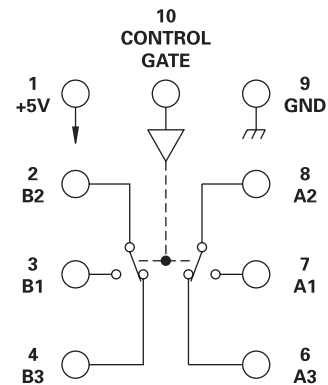
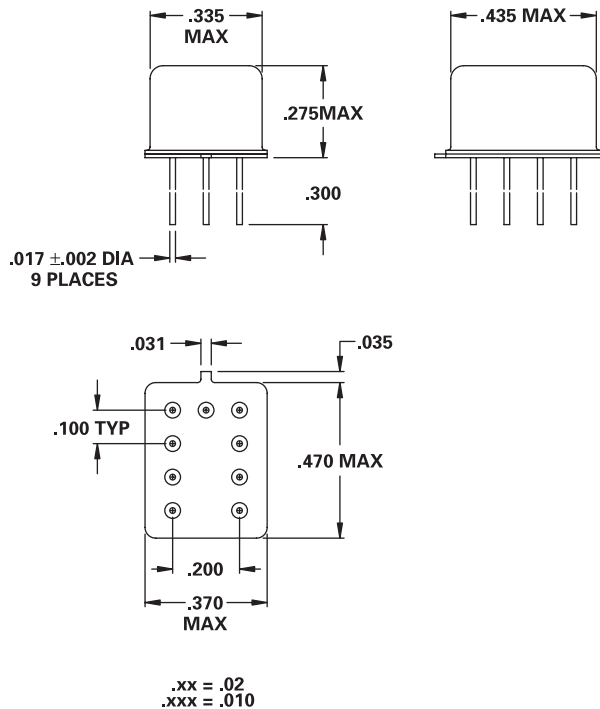
# MODEL NUMBER DSW22206

## Switch DP2T

### FEATURES

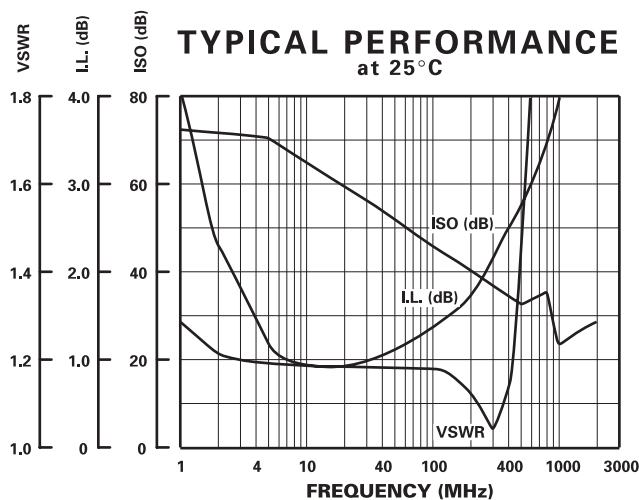
- 3-200 MHz
- 1 dB Insertion Loss
- 45 dB Isolation
- Small DIP Package

### DP2T



### GUARANTEED PERFORMANCE

Parameter	Min	Typ	Max	Units	Conditions
Operating Frequency	3		200	MHz	Test Frequencies At 17 MHz and 58 MHz
DC Current		0.261	132	mA	At +5 VDC Supply
Control Current		$\pm 1.0$	50	$\mu A$	$V_{IH} = 2.0$ Min $V_{IH} = 0.8$ Min
Insertion Loss		1.06	1.40	dB	10 to 110 MHz
Isolation	43	45		dB	10 to 110 MHz
	38	40		dB	110 to 200 MHz
VSWR		1.31/1	1.5/1		3 to 10 MHz
		1.19/1	1.2/1		10 to 200 MHz
Impedance		50		OHMS	
Switching Speed		0.34	1	$\mu Sec$	
Switching (Video) Transients		40	50	mV	Peak Value
Intercept Points	3rd	+34	+33	dBm	48 - 70 MHz
		+28	+39	dBm	15 - 20 MHz
RF Power	Operate	+9.8	+13	dBm	
Operating Temperature	-55	+25	+85	$^{\circ}C$	



DAICO Industries

310.507.3242 • FAX 310.507.5701 • www.daico.com