



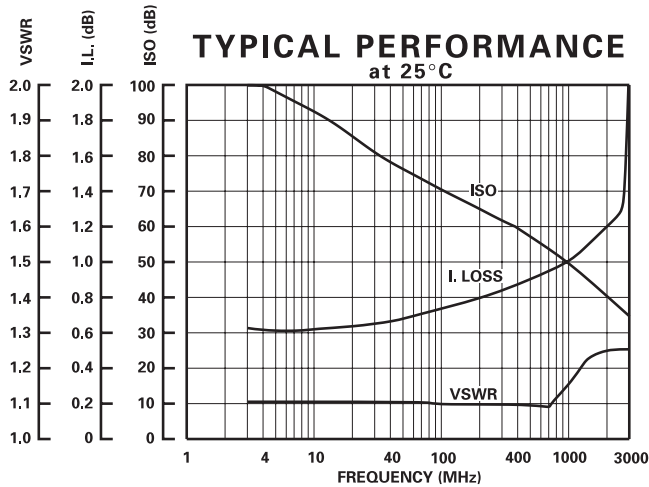
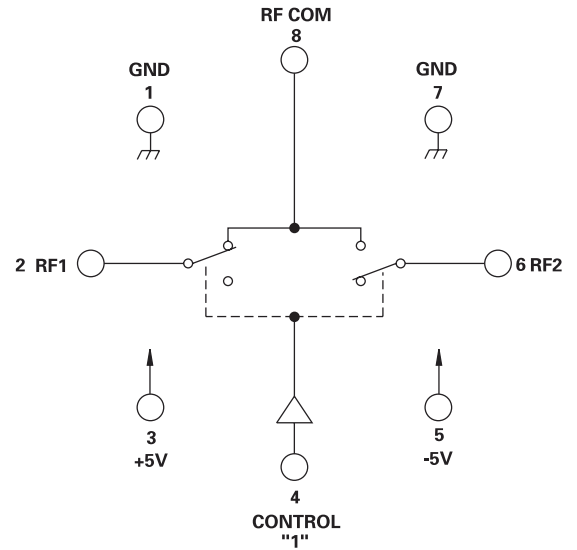
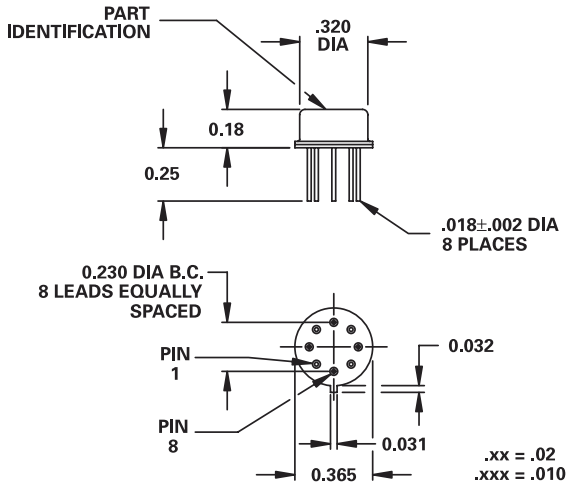
MODEL NUMBER DSW21965

GaAs SP2T

FEATURES

- DC - 2000 MHz
- < 1 mA, ±5 VDC
- 17 nSec Switching Speed
- High Isolation
- TTL Driver
- Ultra Small TO-5 Package

SP2T



LOGIC TABLE	
TTL Control	RF Com To:
1	RF1
0	RF2

GUARANTEED PERFORMANCE

Parameter	Min	Typ	Max	Units	Conditions
Operating Frequency	DC		2000	MHz	
DC Current		0.3 0.01	1 1	mA	AT +5 VDC Supply AT -5 VDC Supply
Control Type		TTL			1 Line Logic "0" = RF COM to RF 2 Logic "1" = RF COM to RF 1
Control Current	High Low	1 1	±40 ±40	µA	V _{IH} = +2.7V V _{IL} = +0.5V
Insertion Loss		1.0 1.2	1.5 1.7	dB	DC - 1000 MHz 1000 - 2000 MHz
Isolation	60 50 30	70 58 42		dB	DC - 100 MHz 100 - 500 MHz 500 - 2000 MHz
VSWR		1.15/1 1.25/1	1.2/1 1.5/1		DC - 500 MHz 500 - 2000 MHz
Impedance		50		OHMS	
Switching Speed		17	150	nSEC	50% TTL to 90% / 10% RF
Transition (Rise/Fall) Time		4		nSEC	10% / 90% or 90% / 10% RF
Switching (Video) Transients		20		mV	Peak Value
Intercept Points	2nd 3rd	+80 +43		dBm	70 MHz / 50 MHz 35 MHz / 50 MHz
RF Power	Operate No Damage	+12 +30	+10 +30	dBm	0.1 dB Comp. Above 20 MHz
Operating Temperature	-55	+25	+125	°C	TA