

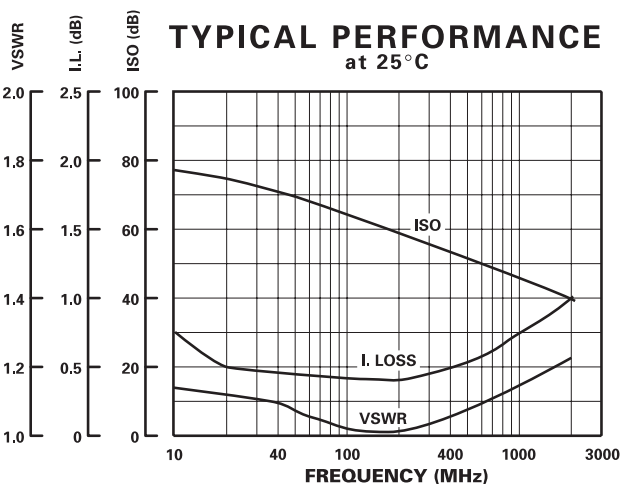
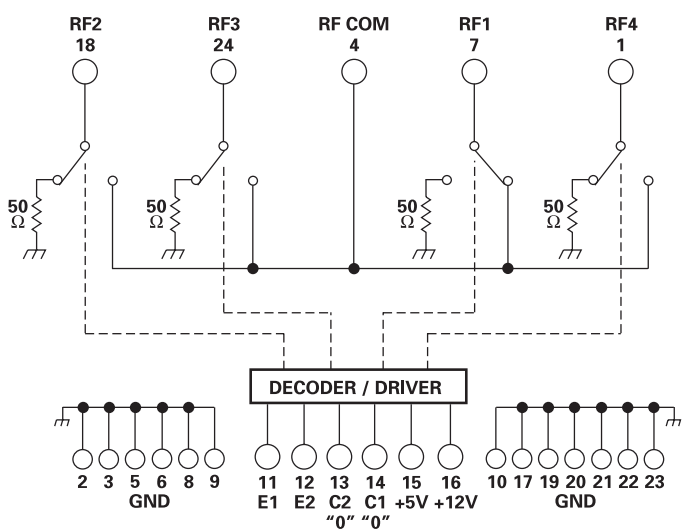
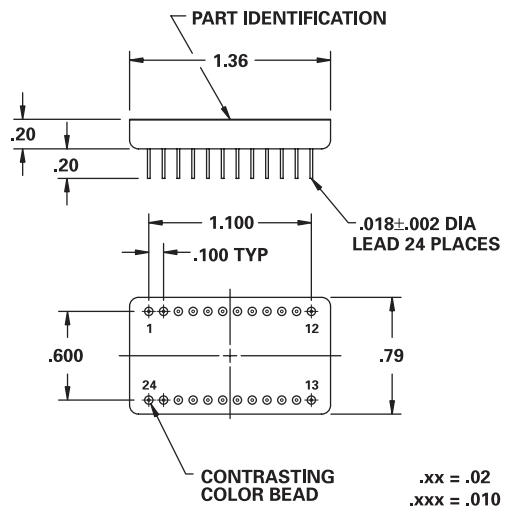
MODEL NUMBER DS0967

PIN Diode SP4T

FEATURES

- 20-2000 MHz
- Very Low Insertion Loss
- High Intercept Points
- TTL Driver With 2 Line BCD Control
- Non-Reflective
- 24 Pin DIP

SP4T



ENABLE CONDITION		
E1	E2	Switch
GND	+5V	Enable
+5V	X	Disable
X	GND	Disable

LOGIC TABLE		
RF COM to	C2	C1
RF1	0	0
RF2	0	1
RF3	1	0
RF4	1	1

X = Don't Care, When Switch Is Disabled, All Outputs Are Terminated And the Common Is Reflective

GUARANTEED PERFORMANCE

Parameter	Min	Typ	Max	Units	Conditions
Operating Frequency	20		2000	MHz	
DC Current		21	35	mA	At +5 VDC Supply
		11	20	mA	At +12 VDC Supply
Control Type		TTL			2 Line, See Logic Chart
Control Current	High	0	±20	μA	V _{IH} = +2.7V
	Low	0	±20	μA	V _{IL} = +0.5V
Insertion Loss		0.5	0.6	dB	20 - 500 MHz
		0.7	0.9	dB	500 - 1000 MHz
		1.0	1.2	dB	1000 - 2000 MHz
Isolation	45	51		dB	20 - 500 MHz
	37	45		dB	500 - 1000 MHz
	30	39		dB	1000 - 2000 MHz
VSWR	Thru	1.2/1	1.4/1		
	Termination	1.3/1	1.4/1		
Impedance		50		OHMS	
Switching Speed		1.4	5	μSEC	50% TTL to 90% / 10% RF
Transition (Rise/Fall) Time		0.1		μSEC	90% / 10% or 10% / 90% RF
Switching (Video) Transients		1.8		V	Peak Value
Intercept Points	2nd	+89		dBm	70 MHz / 50 MHz
	3rd	+47		dBm	35 MHz / 50 MHz
RF Power	Operate	+29	+25	dBm	0.1 dB Compression
	No Damage		+30	dBm	
Operating Temperature	-55	+25	+54	°C	TA