


SP2T

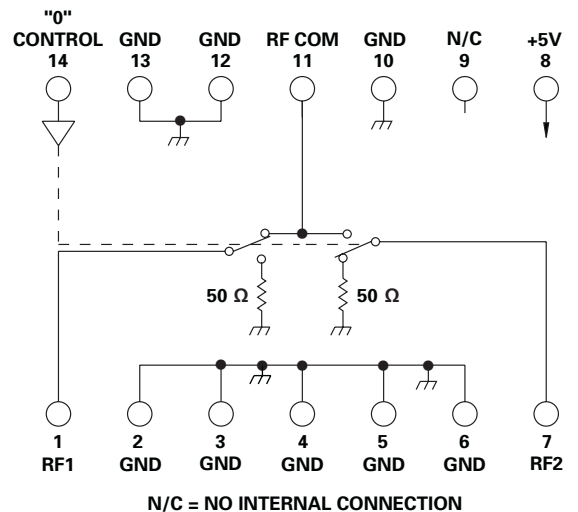
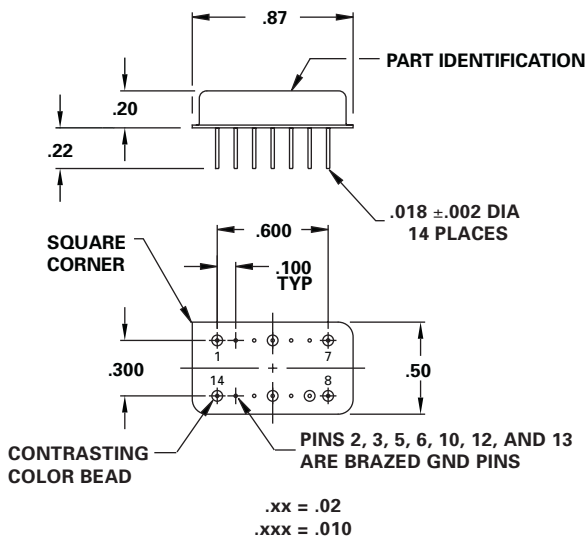
## FEATURES

- 5 - 1500 MHz
- 0.7 mA, +5VDC
- 90 dB Isolation
- High Intercept points
- Non-Reflective
- TTL Driver
- 14 Pin DIP
- See DS0742 For 14 Pin SMP



# MODEL NO. DS0842

## GaAs SP2T



## GUARANTEED PERFORMANCE

Parameter	Min	Typ	Max	Units	Conditions
Operating Frequency	5		1500	MHz	
DC Current		0.7	1.0	mA	At +5 VDC Supply
Control Type		TTL			1 Line Logic "0" = Pin 11 to Pin 1 Logic "1" = Pin 11 to Pin 7
Control Current		1.0	±10	μA	V <sub>IH</sub> = +3.0V V <sub>IL</sub> = +0.5V
Insertion Loss		1.0	1.25	dB	5 - 300 MHz
		1.5	2.0	dB	300 - 1500 MHz
Isolation	60	75		dB	5 - 300 MHz
	50	58		dB	300 - 1500 MHz
VSWR		1.25/1	1.4/1		Thru Termination
Impedance		50		OHMS	
Switching Speed		50	70	nSEC	50% TTL to 90% / 10% RF
Transition (Rise/Fall) Time		40		nSEC	90% / 10% or 10% / 90% RF
Switching (Video) Transients		25		mV	Peak Value
Intercept Points		+69		dBm	500 MHz / 350 MHz
		+50		dBm	250 MHz / 350 MHz
RF Power		+14	+10	dBm	5 - 100 MHz 0.1 dB Comp.
		+20	+15	dBm	100 - 1500 MHz 0.1 dB Comp.
			+30	dBm	No Damage
Operating Temperature	-55	+25	+125	°C	TA

