

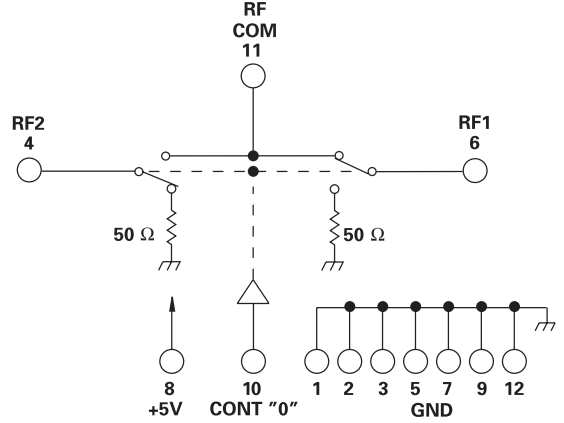
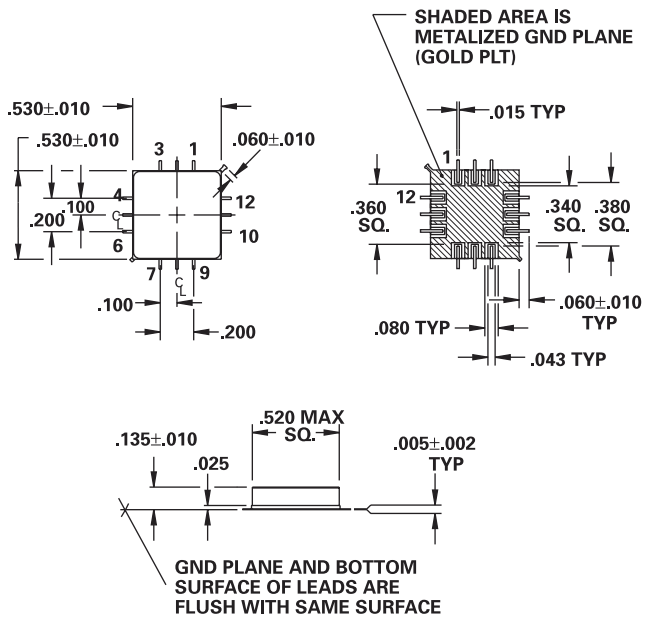
**MODEL NUMBER
DS0712**

GaAs SP2T

FEATURES

- 10 - 1000 MHz
- 0.7 dB Insertion Loss
- Non-Reflective
- TTL Driver
- 12 Pin SMP
- See DS0812 For TO-8 Version

SP2T



GUARANTEED PERFORMANCE

Parameter	Min	Typ	Max	Units	Conditions
Operating Frequency	10		1000	MHz	
DC Current		2	5	mA	At +5 VDC Supply
Control Type		TTL			1 Line Logic "0" = RF COM to RF1 Logic "1" = RF COM to RF2
Control Current		High Low	0 0	±10 ±10	μA μA VIH = +3.0V VIL = +0.5V
Insertion Loss			0.4 0.7	dB dB	10 - 100 MHz 100 - 1000 MHz
Isolation			50 40 25	61 50 32	dB dB dB 10 - 100 MHz 100 - 300 MHz 300 - 1000 MHz
VSWR			1.1/1 1.2/1	1.4/1 1.4/1	Thru Termination
Impedance			50	OHMS	
Switching Speed			30	50	nSEC 50% TTL to 90% / 10% RF
Transition (Rise/Fall) Time			15	nSEC	90% / 10% or 10% / 90% RF
Switching (Video) Transients			21	50	mV Peak Value
Intercept Points			2nd 3rd	+89 +50	dBm dBm 70 MHz / 50 MHz 35 MHz / 50 MHz
RF Power			Operate No Damage	+19 +13 +30	dBm dBm 0.1 dB Compression
Operating Temperature	-55	+25	+125	°C	TA

