

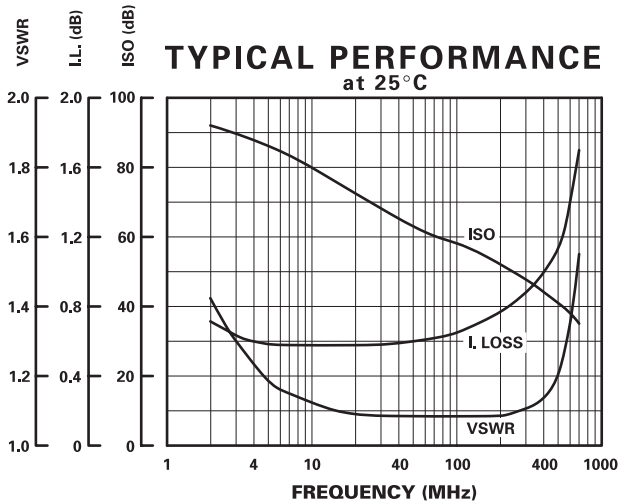
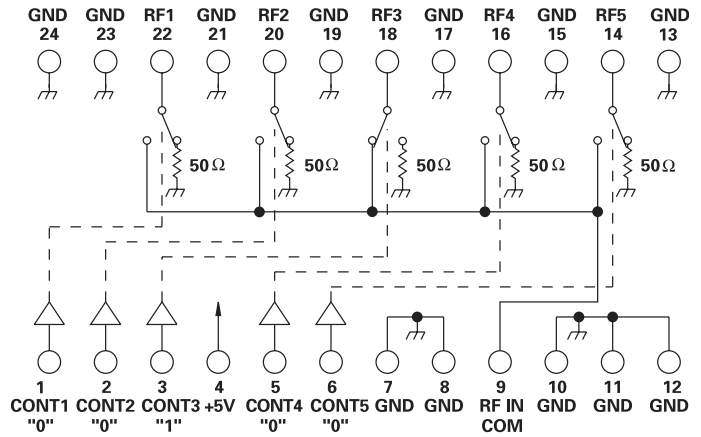
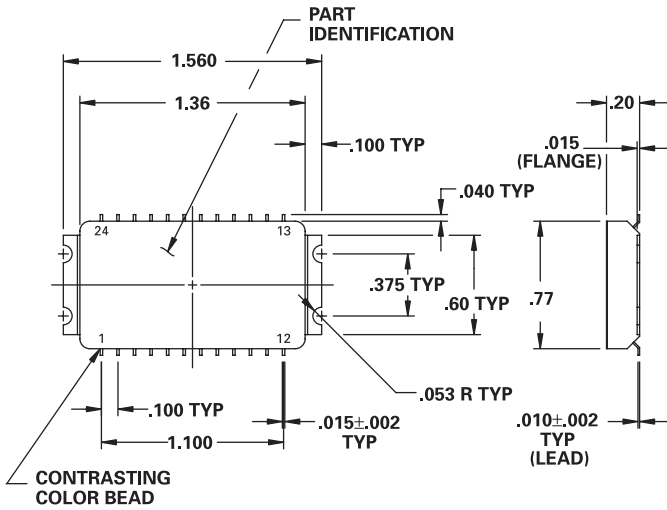
# MODEL NUMBER DS0705

# GaAs SP5T

## FEATURES

- 10 - 400 MHz
- 0.5 mA @ +5 VDC
- 1.0 dB Insertion Loss
- 40 mV Transients
- Non-Reflective
- TTL Driver
- 24 Pin Surface Mount Package

## SP5T



## GUARANTEED PERFORMANCE

Parameter	Min	Typ	Max	Units	Conditions	
Operating Frequency	10		400	MHz		
DC Current		0.5	5	mA	At +5 VDC Supply	
Control Type		TTL			5 Line Logic "1" = Thru Logic "0" = Isolation	
Control Current		High Low	0 0	±40 ±40	μA	V <sub>IH</sub> = +3.0V V <sub>IL</sub> = +0.5V
Insertion Loss			0.7 1.0	1.0 1.4	dB	10 - 175 MHz 175 - 400 MHz
Isolation	40 30	53 43			dB	10 - 175 MHz 175 - 400 MHz
VSWR		Thru Termination	1.1/1 1.1/1	1.3/1 1.3/1		
Impedance			50		OHMS	
Switching Speed			60	100	nSEC	50% TTL to 90% / 10% RF
Transition (Rise/Fall) Time			30		nSEC	90% / 10% or 10% / 90% RF
Switching (Video) Transients			40	100	mV	
Intercept Points		2nd 3rd	+84 +55		dBm	214 MHz / 127 MHz 107 MHz / 127 MHz
RF Power		Operate No Damage	+19 +24	+13 +20	dBm	0.1 dB Compression 0.1 dB Comp. Above 100 MHz
Operating Temperature	-55	+25	+125		°C	TA