

FEATURES

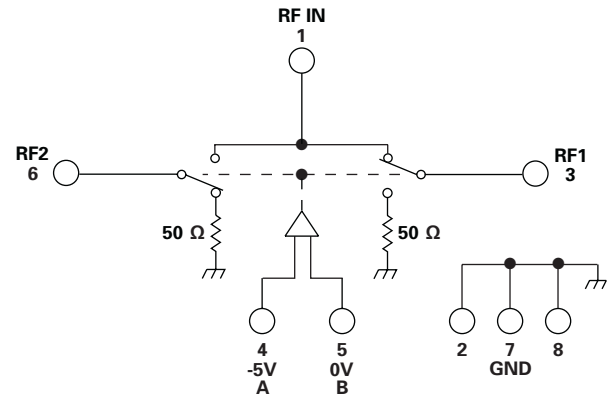
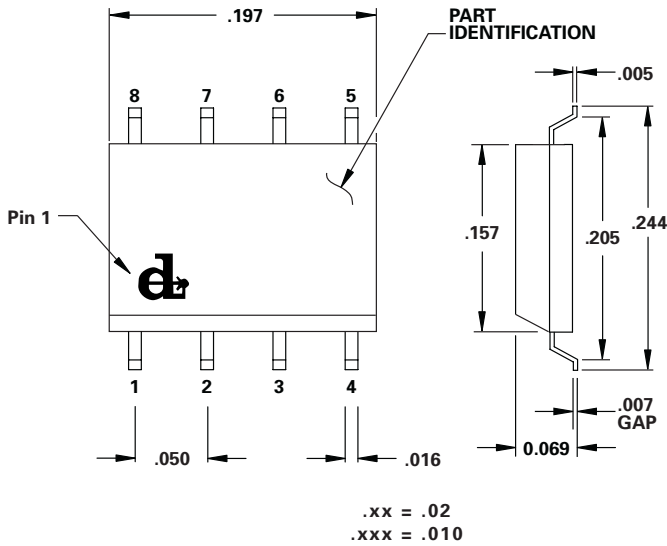
- DC - 2000 MHz
- Non-Reflective
- 0.7 dB I.L., 19 dB Iso.
- 8 Pin Surface Mount Package
- Very Low Cost



**MODEL NO.
DS0702-T**

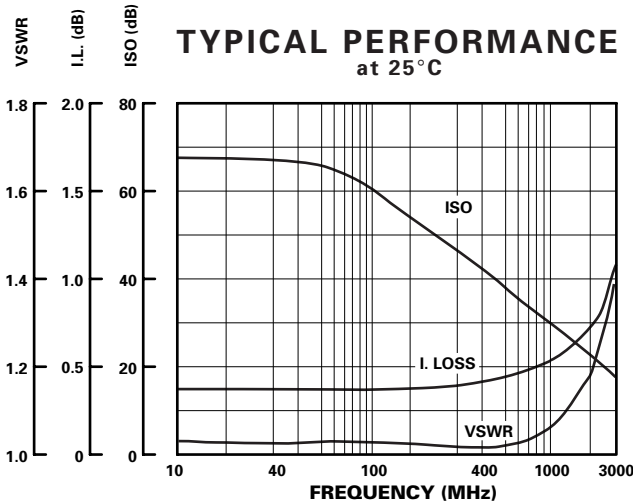
GaAs SP2T

SP2T



| Switching Table | | |
|-----------------|-----|-------------|
| A | B | Function |
| 0V | -5V | RF IN - RF2 |
| -5V | 0V | RF IN - RF1 |

GUARANTEED PERFORMANCE



| Parameter | Min | Typ | Max | Units | Conditions |
|-----------------------------|-------------|---------|-------|-------|----------------------------|
| Operating Frequency | DC | | 2000 | MHz | |
| Control Voltage | | | | | See Table |
| Insertion Loss | | 0.6 | 1.0 | dB | DC - 1000 MHz |
| | | 0.7 | 1.2 | | 1000 - 2000 MHz |
| Isolation | 25 | 30 | | dB | DC - 1000 MHz |
| | 16 | 19 | | | 1000 - 2000 MHz |
| VSWR | Input | 1.2/1 | 1.3/1 | | |
| | Termination | 1.2/1 | 1.5/1 | | |
| Impedance | | 50 | | OHMS | |
| Transition (Rise/Fall) Time | | | 3 | nSEC | |
| Intercept Points | | 46 | | dBm | |
| RF Power | | Operate | +27 | +23 | 1.0 dB Comp. Above 100 MHz |
| Operating Temperature | -55 | +25 | +85 | °C | TA |

Note: A/C Couple Capacitors may be required for your Application