

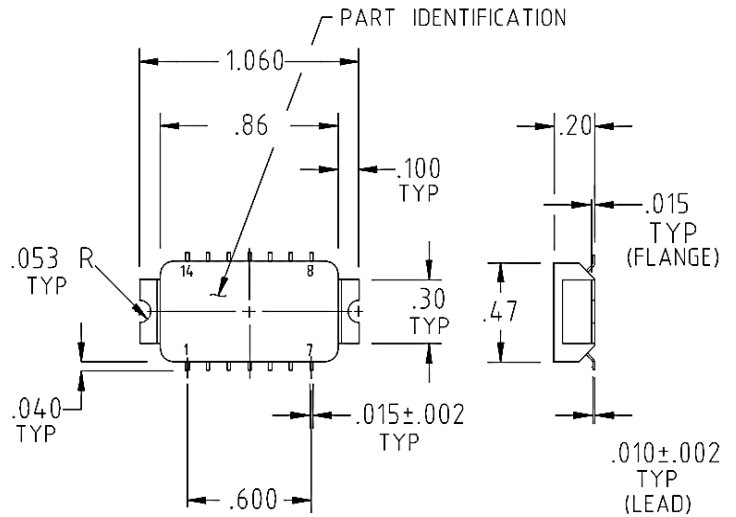
FEATURES

- Frequency Range: 5 – 2000 MHz
- Switching Speed: 34nsec
- High Isolation: 49dB
- VDC Supply: +5V
- TTL Driver
- Non-Reflective
- 14 Pin Surface Mount Package

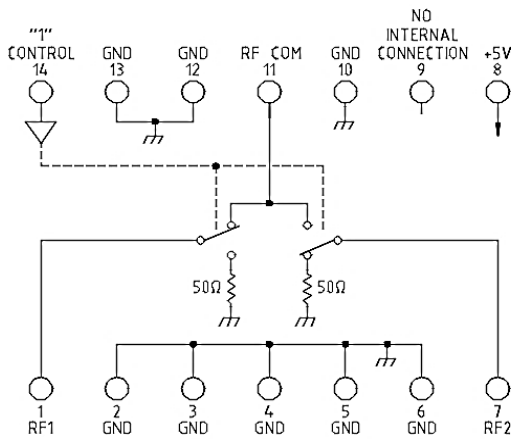
APPLICATIONS: Military Aircraft, General Purpose Broadband SP2T



OUTLINE DRAWING



FUNCTIONAL BLOCK DIAGRAM



PRODUCT SPECIFICATION

Parameter	Min.	Typ.	Max.	Units	
Frequency	5		2000	MHz	
DC Current		0.2	1	mA	+5VDC Supply
Control Type		TTL			"1": RFC to RF1
Control Current	High	0	±20	µA	V _{IH} = +2.7V
	Low	0	±20	µA	V _{IL} = +0.5V
Isolation		60	78	dB	5 - 100 MHz
		40	49	dB	100 - 2000 MHz
Insertion Loss		1.0	1.5	dB	5 - 100 MHz
			1.5	2.0	dB
VSWR	Thru		1.25:1	1.5:1	
	Termination		1.4:1	2:1	
Impedance		50		Ω	
Switching Speed		34	50	nsec	50% TTL to 90%/10% RF
Transition (Rise/Fall) Time		10		nsec	10% / 90% or 90% / 10%RF
Switching (Video) Transients		80		mV	Peak Value
Intercept Points	2 nd		+52	dBm	35 - 70 MHz
	3 rd		+35	dBm	35 - 50 MHz
RF Power	Operate	+7	+10	dBm	P _{0.1dB} : <100MHz
	Damage	+13	+18	dBm	P _{0.1dB} : >100MHz
Temperature	-55	+25	+125	°C	T _a

TYPICAL PERFORMANCE

