

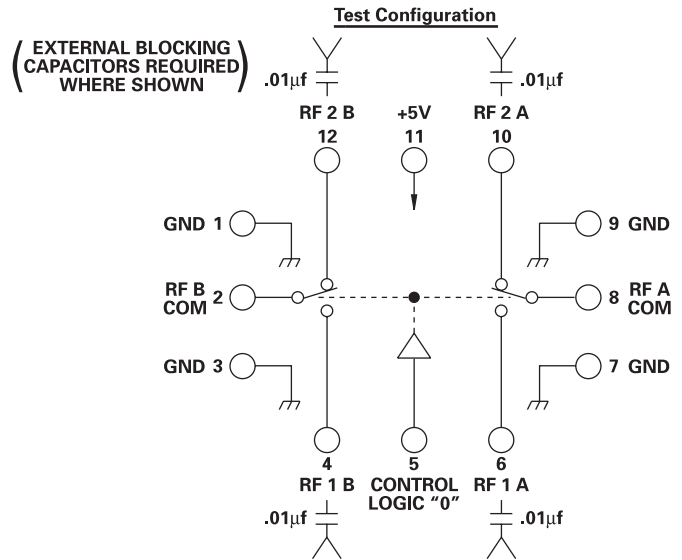
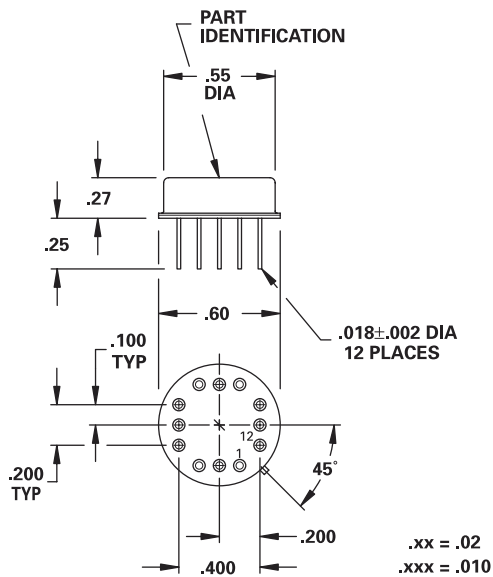
**MODEL NUMBER
DS0519**

PIN Diode DP2T

FEATURES

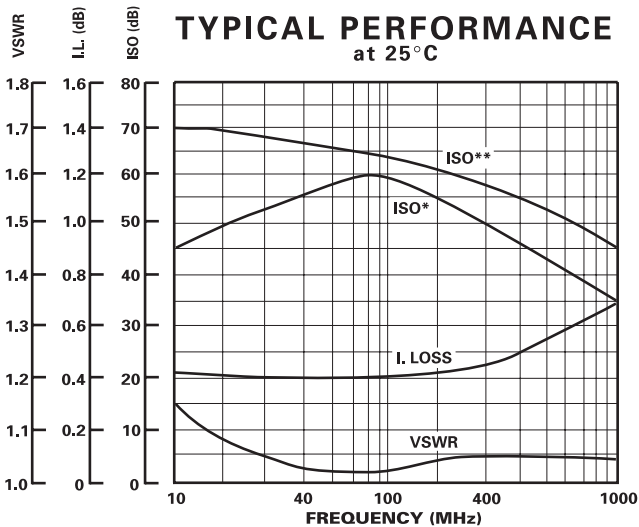
- 20-700 MHz
- 0.5 dB Insertion Loss
- TTL Driver
- Small TO-8 Package
- Low Cost
- Cascadable Building Block For Attenuators And Phase Shifters

DP2T



GUARANTEED PERFORMANCE

Parameter	Min	Typ	Max	Units	Conditions	
Operating Frequency	20		700	MHz		
DC Current		6.8	10	mA	At +5 VDC Supply	
Control Type		TTL			1 Line Logic "0" = RF COM to RF2 Logic "1" = RF COM to RF1	
Control Current		High Low	20 -400	µA	V _{IH} = +2.7 V V _{IL} = +0.5 V	
Insertion Loss		0.6	0.75	dB	20 - 700 MHz	
Isolation	35	42		dB		
VSWR		Thru	1.2/1 1.1/1	1.35/1 1.20/1	20 - 200 MHz 200 - 700 MHz	
Impedance		50		OHMS		
Switching Speed		2.4	3.0	µSEC	50% TTL to 90% / 10% RF	
Transition (Rise/Fall) Time		300		nSEC	90% / 10% or 10% / 90% RF	
Switching (Video) Transients		230	500	mV	Peak Value	
Intercept Points		2nd 3rd	+70 +47	dBm	350 MHz / 118 MHz 350 MHz / 232 MHz	
RF Power		Operate No Damage	+12 +23	+10 +20 +30	dBm dBm dBm	0.1 dB Comp 20 - 200 MHz 0.1 dB Comp 200 - 700 MHz
Operating Temperature	-55	+25	+125	°C	TA	



* = One Section
** = Between Sections