

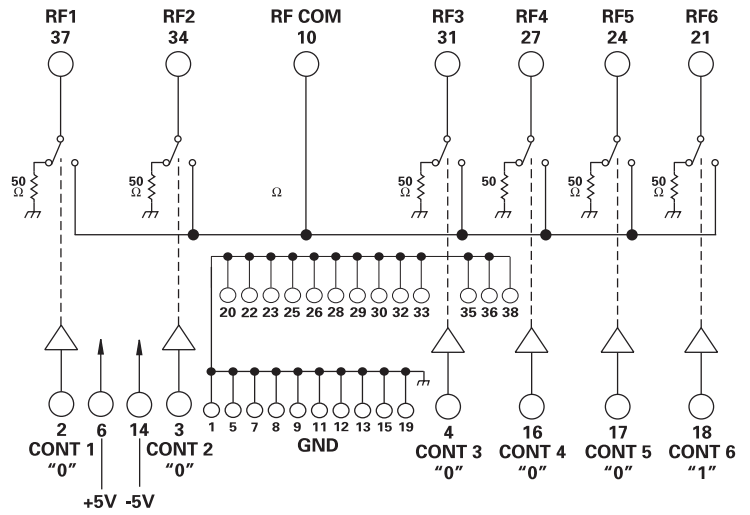
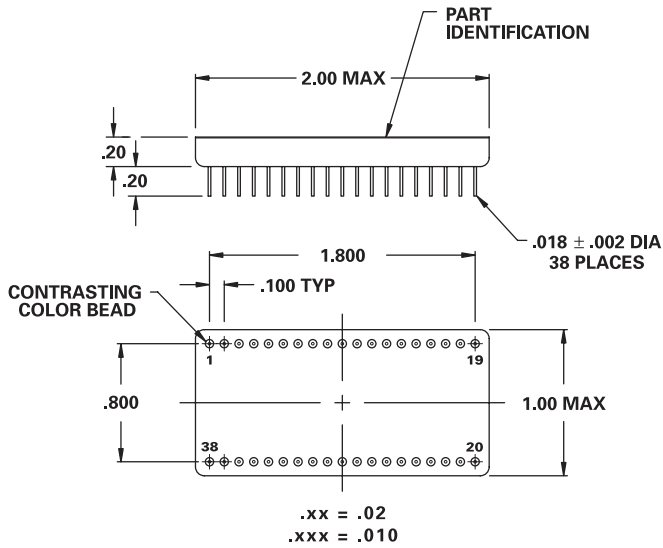
**MODEL NUMBER
DS0506**

PIN Diode SP6T

FEATURES

- 100-600 MHz
- 0.6 dB Insertion Loss
- Handles +25 dBm
- 250 nSec Switching Speed
- Non-Reflective
- TTL Driver
- 38 Pin DIP

SP6T



GUARANTEED PERFORMANCE

Parameter	Min	Typ	Max	Units	Conditions
Operating Frequency	100		600	MHz	
DC Current		25	35	mA	At +5 VDC Supply
		30	45	mA	At -5 VDC Supply
Control Type		TTL			6 Line Logic "0" = Off Logic "1" = On
Control Current		High	40	μA	VIH = +2.7 V
		Low	-400	μA	VIL = +0.5 V
Insertion Loss		0.6	1.0	dB	
Isolation	50	56		dB	
VSWR		1.2/1	1.50/1		
Impedance		50		OHMS	
Switching Speed		0.25	1	μSEC	50% TTL to 90% / 10% RF
Transition (Rise/Fall) Time		0.1		μSEC	10% / 90% or 90% / 10% RF
Switching (Video) Transients		700		mV	Peak Value
Intercept Points		2nd	+90	dBm	60 MHz / 160 MHz
		3rd	+50	dBm	130 MHz / 160 MHz
RF Power		Operate	+25	dBm	0.1 dB Compression
		No Damage	+30	dBm	
Operating Temperature	-55	+25	+125	°C	TA

