

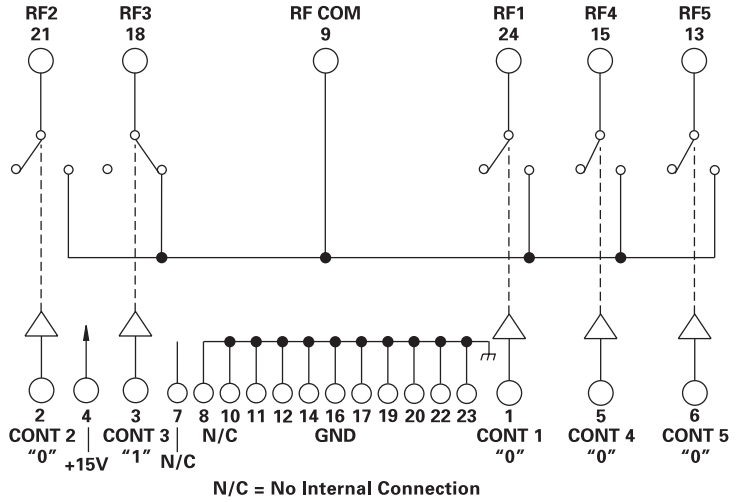
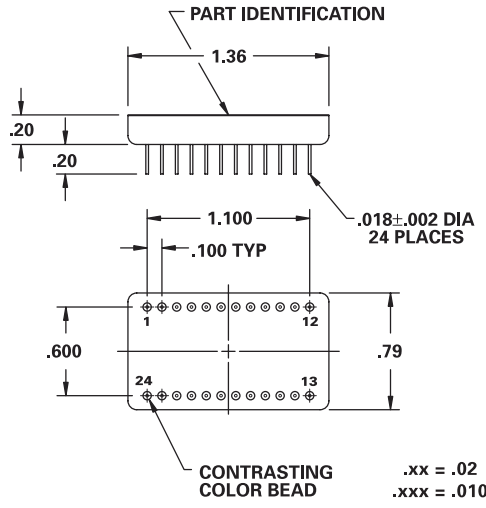
**MODEL NUMBER  
DS0345**

**PIN Diode SP5T**

**FEATURES**

- 60-1500 MHz
- 8 mA, +15 VDC
- CMOS Driver
- 24 Pin DIP
- Low Cost

**SP5T**



**GUARANTEED PERFORMANCE**

Parameter	Min	Typ	Max	Units	Conditions
Operating Frequency	60		1500	MHz	
DC Current		8	12	mA	At +15 VDC Supply
Control Type		CMOS			5 Line Logic "1" = On Logic "0" = Off
Control Current	High		±10	µA	VIH = + V
	Low		±10	µA	VIL = 0 V
Insertion Loss		1.0	1.5	dB	
Isolation	25	36		dB	
VSWR	Thru	1.1/1	1.3/1		
Impedance		50		OHMS	
Switching Speed		9	20	µSEC	50% Control to 90% / 10% RF
RF Power	Operate	+19	+10	dBm	
Operating Temperature	-55	+25	+125	°C	TA

Add - RL to P/N For Reverse Logic: Logic "0" = On

