

FEATURES

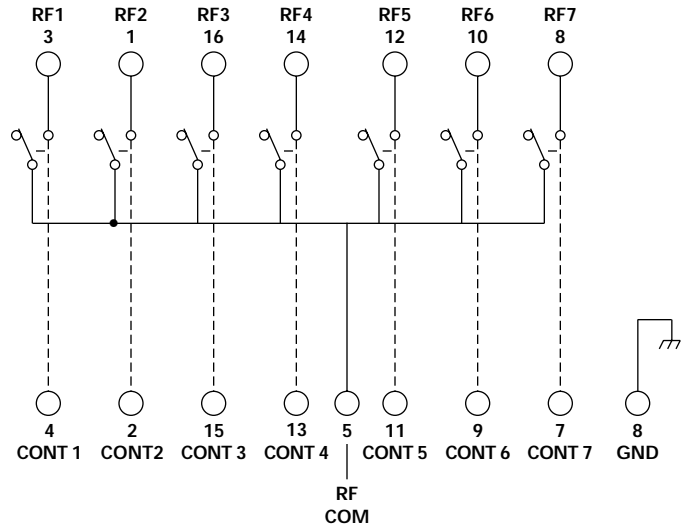
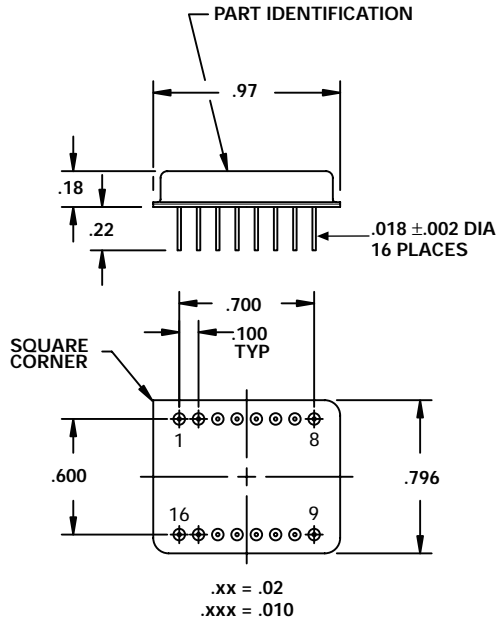
- 20 - 400 MHz
- Small 16 Pin DIP
- Low Cost
- Low Current Consumption



MODEL NO.
DS0137

PIN Diode SP7T

SP7T



GUARANTEED PERFORMANCE

Parameter	Min	Typ	Max	Units	Conditions
Operating Frequency	20		400	MHz	
Control Type		CMOS			7 Line - 1 to each switch Compatible W/MC88C29 Driver Logic: +12 V = Thru Logic: +0 V = Isolation
Control Current					
	High	4	10	mA	VIH = +12 V
	Low	0	0	mA	VIL = +0 V
Insertion Loss		0.9	1.5	dB	
Isolation	40	60		dB	
VSWR		1.15/1	1.5/1		
Impedance		50		OHMS	
Switching Speed			100	μSEC	50% Control to 90% / 10% RF
RF Power					
	Operate		+10	dBm	0.1 dB Compression
	No Damage		+20	dBm	
Operating Temperature	-55	+25	+125	°C	TA

