

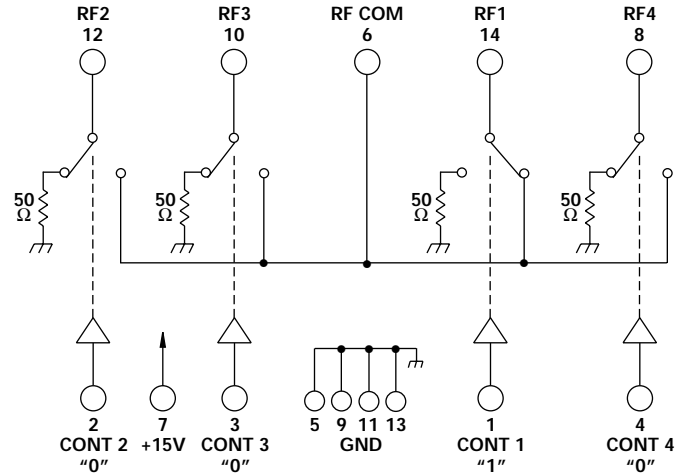
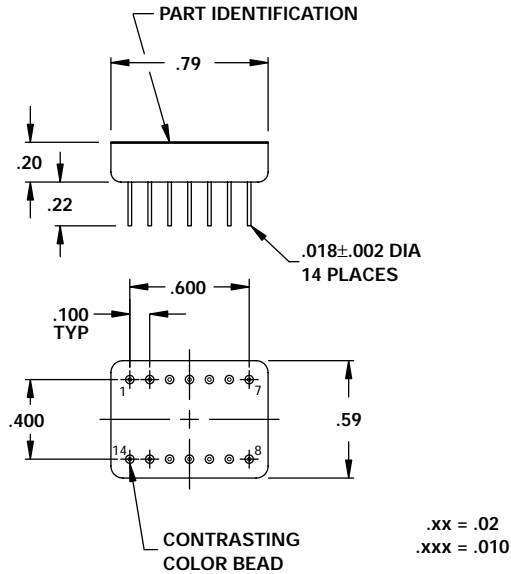
FEATURES

- 10 - 500 MHz
- 6 mA, +15 VDC
- CMOS Driver
- Non-Reflective
- Small 14 Pin DIP
- Low Cost

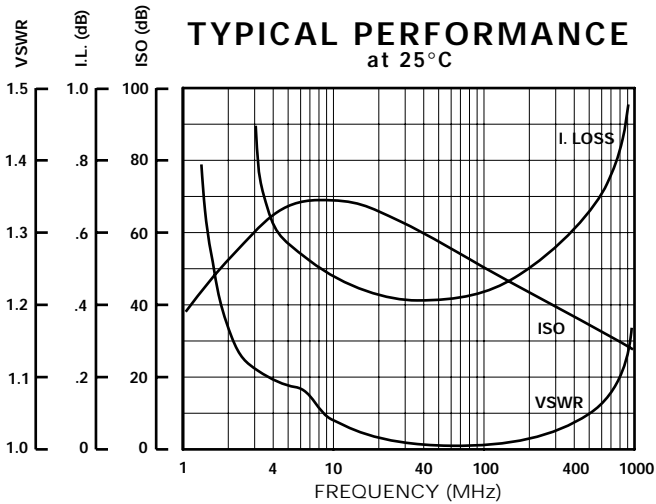


MODEL NO.
DS0085

PIN Diode SP4T



GUARANTEED PERFORMANCE



Parameter	Min	Typ	Max	Units	Conditions
Operating Frequency	10		500	MHz	
DC Current		6		mA	At +15 VDC Supply
Control Type		CMOS			4 Line Logic "1" = On Logic "0" = Off
Control Current	<i>High</i>		±2	μA	V _{IH} = +15V
	<i>Low</i>		±2	μA	V _{IL} = Ground
Insertion Loss		0.6	0.8	dB	10 - 500 MHz
Isolation	50	60		dB	10 - 30 MHz
	40	47		dB	30 - 100 MHz
	25	30		dB	100 - 500 MHz
VSWR		1.05/1	1.2/1		10 - 500 MHz
Impedance		50		OHMS	
Switching Speed		35		μSEC	50% CMOS to 90% / 10% RF
Intercept Points		+67		dBm	
	<i>2nd</i>	+40		dBm	
	<i>3rd</i>				
RF Power	<i>Operate</i>		+10	dBm	
Operating Temperature	-55	+25	+125	°C	TA