

SP3T

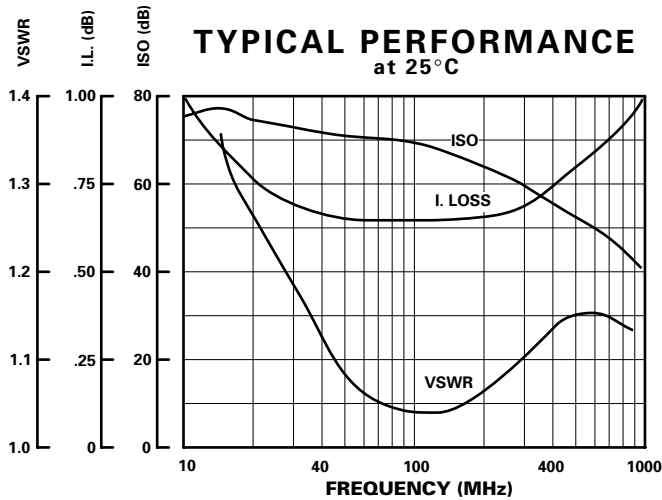
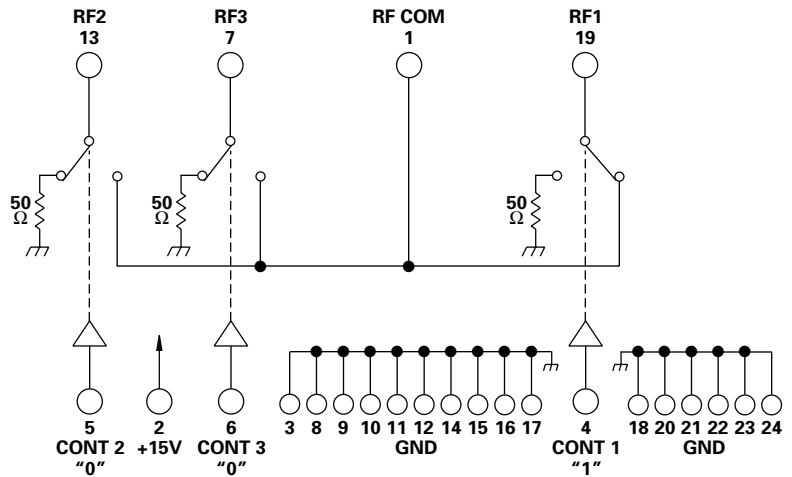
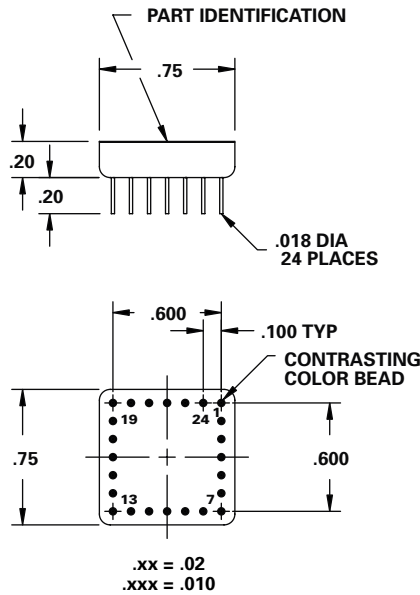
## FEATURES

- 50 - 500 MHz
- 2 mA, +15 VDC
- 0.75 dB Insertion Loss
- 50 dB Isolation
- Non-Reflective
- CMOS Driver



# MODEL NO. DS0073

## PIN Diode SP3T



## GUARANTEED PERFORMANCE

Parameter	Min	Typ	Max	Units	Conditions
Operating Frequency	50		500	MHz	
DC Current		2	5	mA	At +15 VDC Supply
Control Type		TTL or CMOS			3 Line Open Collector TTL with Pull Up Resistor Logic "1" = On Logic "0" = Off
Control Current	High Low	1.0 1.0	±2 ±2	µA µA	V <sub>IH</sub> = +15V V <sub>IL</sub> = 0V
Insertion Loss		0.75	1.0	dB	
Isolation	40	51		dB	
VSWR	Thru Termination	1.18/1 1.12/1	1.25/1 1.25/1		
Impedance		50		OHMS	
Switching Speed		3	5	µSEC	50% Input to 90% / 10% RF
Transition (Rise/Fall) Time		300		nSEC	90% / 10% or 10% / 90% RF
Switching (Video) Transients		640		mV	Peak Value
Intercept Points	2nd 3rd	+60 +35	+67 +43	dBm dBm	85 MHz / 25 MHz 42.5 MHz / 25 MHz
RF Power	Operate No Damage		+23 +10 +27	dBm dBm dBm	0.1 dB Compression
Operating Temperature	-55	+25	+125	°C	TA