

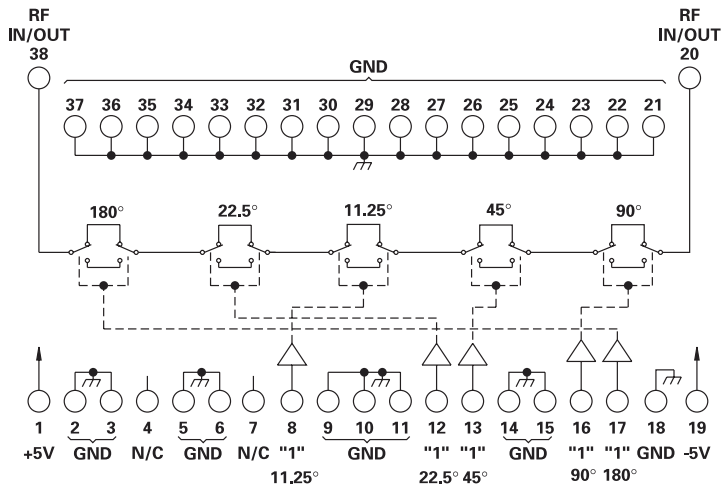
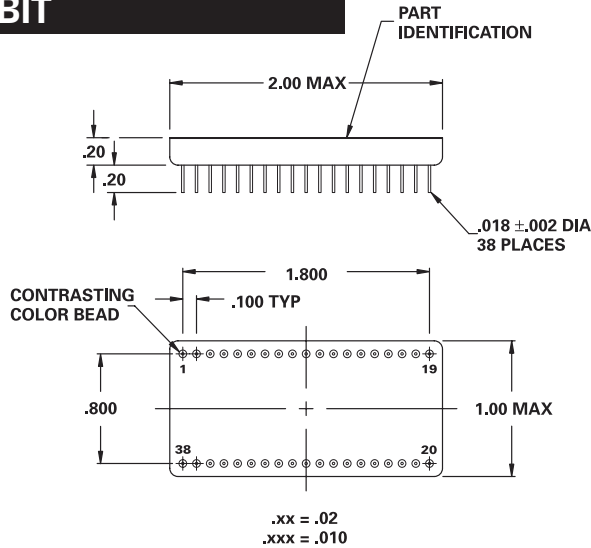
MODEL NUMBER DPS52181

Phase Shifter 5 Section

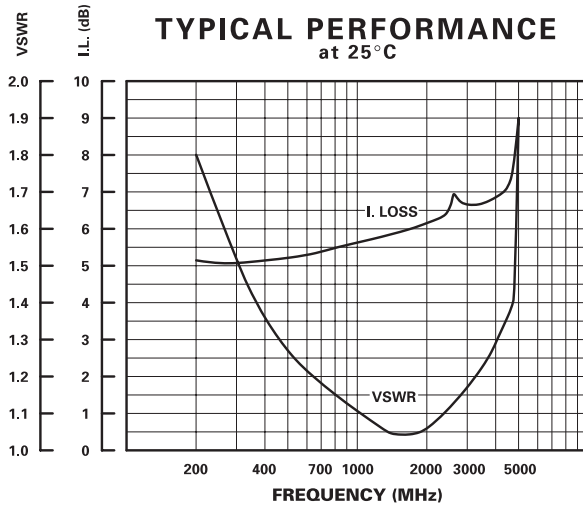
FEATURES

- 2300-2410 MHz
- High Frequency
- Low Transient
- 38 Pin DIP

5 BIT



TYPICAL PERFORMANCE at 25°C



LOGIC TABLE						
CONT	STATE	PIN 8	PIN 12	PIN 13	PIN 16	PIN 17
H	Phase Shift	11.25°	22.5°	45°	90°	180°
L	Thru	"0"	"0"	"0"	"0"	"0"

GUARANTEED PERFORMANCE

Parameter	Min	Typ	Max	Units	Conditions
Operating Frequency	2300		2410	MHz	Fc = 2355
DC Current		2.20	5	mA	At +5 VDC Supply
		0.05	5	mA	At -5 VDC Supply
Control Type		TTL			5 Line See Logic Table
Control Current	High	±20		µA	At +5 VDC Supply
	Low	±20		µA	
Insertion Loss		6.5	8.0	dB	
Insertion Loss	Stability-1	±0.3	±0.5	dB	For All Phase Shifting Same Temp. Freq. & Phase State Unit To Unit for Same Lot/Date Code
	Stability-2	±0.3	±0.5	dB	
Insertion Phase Stability		±5	±10	DEG	Same Temp. Freq. & Phase State Unit To Unit for Same Lot/Date Code
Phase	LSB	0	11.25	DEG	11.25, 22.5, 45, 90, 180 Linear Phase Vs. Frequency Any One Bit Any Combination
	Range		348.75	DEG	
	Slope		±5	DEG	
	Accuracy		±10	DEG	
VSWR		1.2/1	1.5/1		
Impedance		50		OHMS	
Switching Speed		22	100	nSec	50% TTL to 90% RF or 10% RF
Transition (Rise/Fall) Time		6		nSec	90% / 10% or 10% / 90% RF
Switching (Video) Transients		160		mV	Peak Value
Intercept Points	2nd	+69		dBm	2202 MHz / 702 MHz 1101 MHz / 702 MHz
	3rd	+38		dBm	
RF Power	Operate	+21	+18	dBm	0.1 dB Compression
	No Damage		+27	dBm	
Operating Temperature	-40	+25	+70	°C	TA