

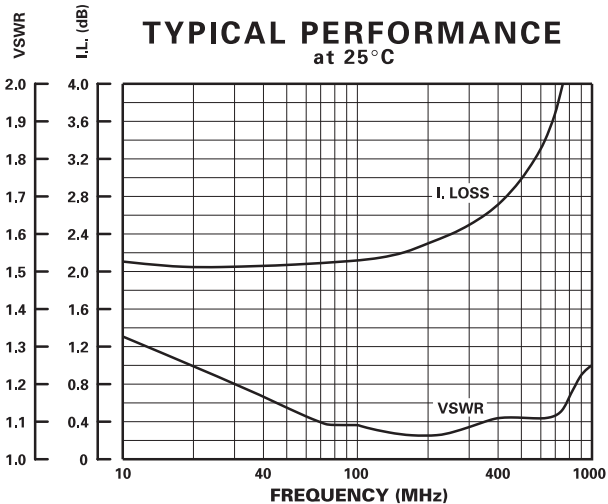
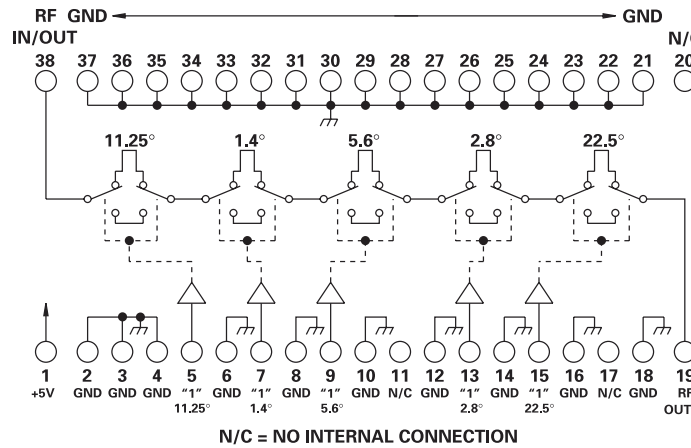
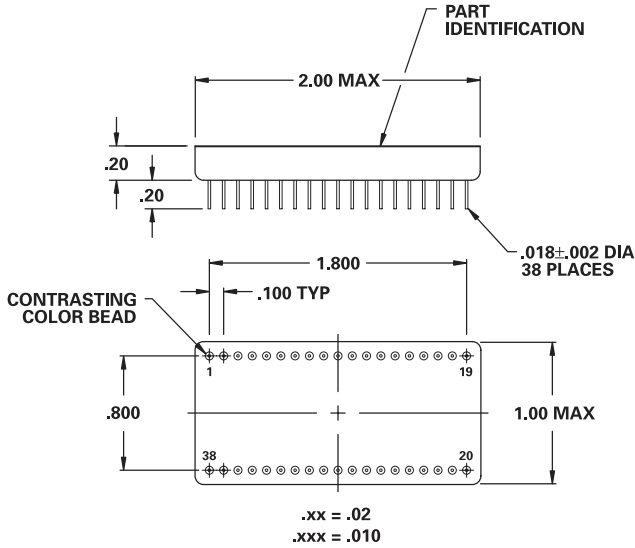
# MODEL NUMBER DPS52005

# Phase Shifter 5 Section

## FEATURES

- 100-300 MHz
- Large Phase Shift, Small Package
- 38 Pin DIP

5 BIT



## GUARANTEED PERFORMANCE

Parameter	Min	Typ	Max	Units	Conditions
Operating Frequency	100		300	MHz	Phase Tuned at Fc = 160 MHz
DC Current		57	100	mA	At +5 VDC Supply
Control Type		TTL			5 Line Logic "1" = Phase Shift
Control Current	High	-45		µA	VIH = +2.7 V
	Low	-90		µA	VIL = +0.5 V
Insertion Loss		2.5	3.0	dB	
Amplitude vs. Phase Variation		±0.05	±0.5	dB	At 160 MHz
Phase	Steps			DEG	1.4, 2.8, 5.6, 11.25, 22.5
	Range		43.6	DEG	
	Accuracy	±0.2	±0.7	DEG	At Fc = 160 MHz
VSWR		1.1/1	1.3/1		
Impedance		50		OHMS	
Switching Speed		530		nSec	50% TTL to 90% / 10% RF
Transition (Rise/Fall) Time		330		nSec	90% / 10% or 10% / 90% RF
Switching (Video) Transients		1.15		V	Peak Value
Intercept Points	2nd	+75		dBm	70 MHz / 50 MHz
	3rd	+35		dBm	35 MHz / 50 MHz
RF Power	Operate	+22	+10	dBm	1.0 dB Compression
	No Damage		+20	dBm	
Operating Temperature	-55	+25	+125	°C	TA