

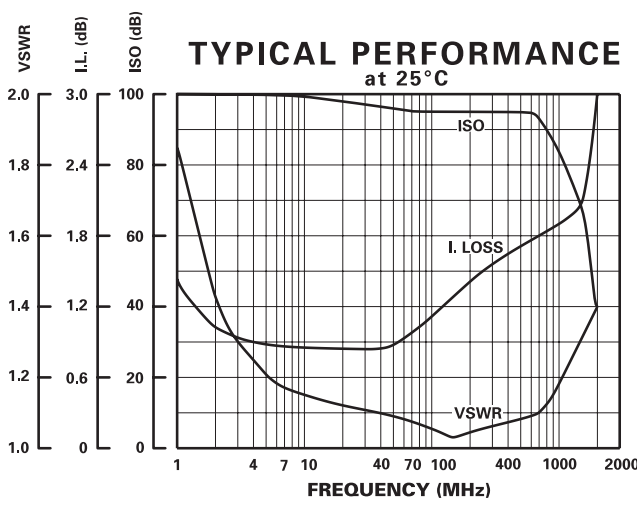
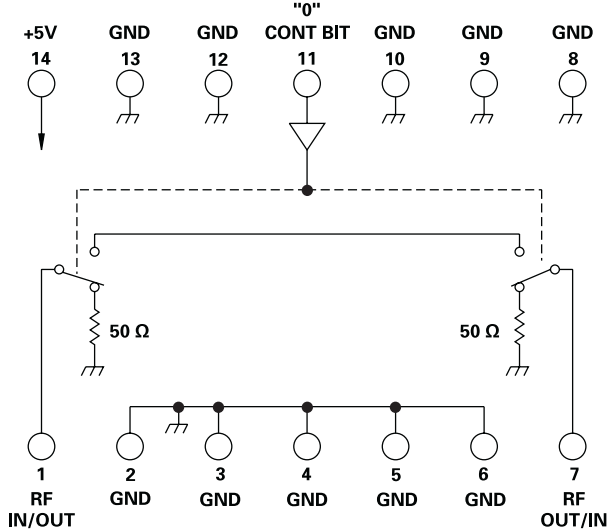
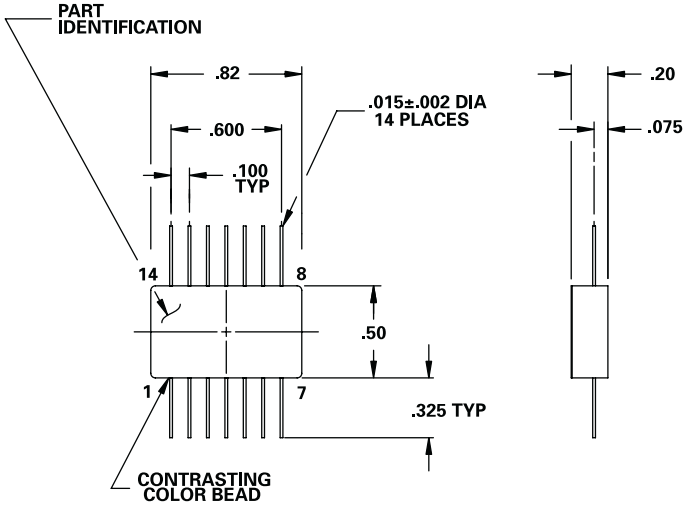
MODEL NUMBER DPM08036

Pulse Modulator

FEATURES

- 10-1000 MHz
- Very Low Transients
- 215 nSec Switching Speed
- 7.7 mA @ +5 VDC
- 14 Pin Flatpack

PSMD



GUARANTEED PERFORMANCE

| Parameter | Min | Typ | Max | Units | Conditions |
|-----------------------------|-----------|--------|-------|-------|--|
| Operating Frequency | 10 | | 1000 | MHz | |
| DC Current | | 7.7 | 10 | mA | At +5 VDC Supply |
| Control Type | | TTL | | | 1 Line, 1=Thru |
| Control Current: | | 0 | 50 | µA | VIH = +2.0V |
| | | 0 | -500 | µA | VIL = +0.8V |
| Insertion Loss | | 2.0 | 3.0 | dB | |
| Isolation | 75 | 83 | | dB | |
| VSWR: | | 1.10/1 | 1.3/1 | | |
| | | 1.05/1 | 1.5/1 | | |
| Impedance | | 50 | | OHMS | |
| Switching Speed | | 215 | 300 | nSEC | 50% TTL to 10% / 90% RF |
| Transition (Rise/Fall) Time | | 45 | 200 | nSEC | 90% / 10% or 10% / 90% RF |
| In Band Transients | | | 100 | | Control Signal PRF Range 22 Hz To 334 KHz Minimum Pulse Width 1.0 µ Sec DC-50 MHz 50-96 MHz In Band |
| Intercept Points | | | | | |
| | 2nd | +60 | +73 | | |
| | 3rd | +40 | +44 | | |
| RF Power | | | | | |
| | Operate | +19 | +14 | dBm | 0.1 dB Compression |
| | | +22 | +20 | dBm | 1.0 dB Compression |
| | No Damage | | +30 | dBm | |
| Operating Temperature | -40 | +25 | +90 | °C | TA |