

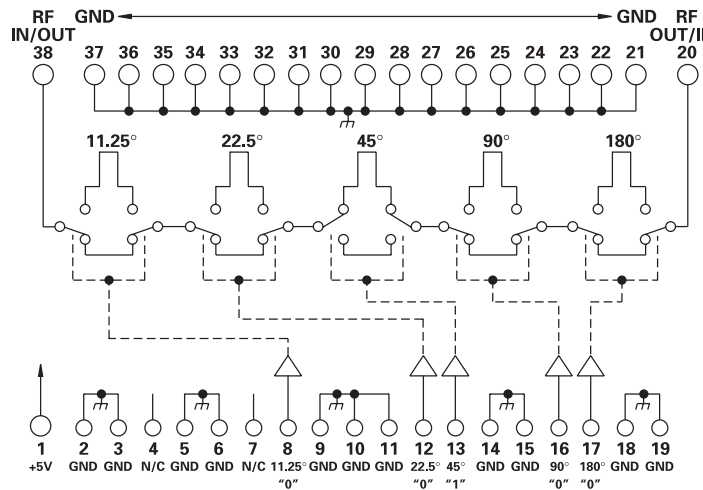
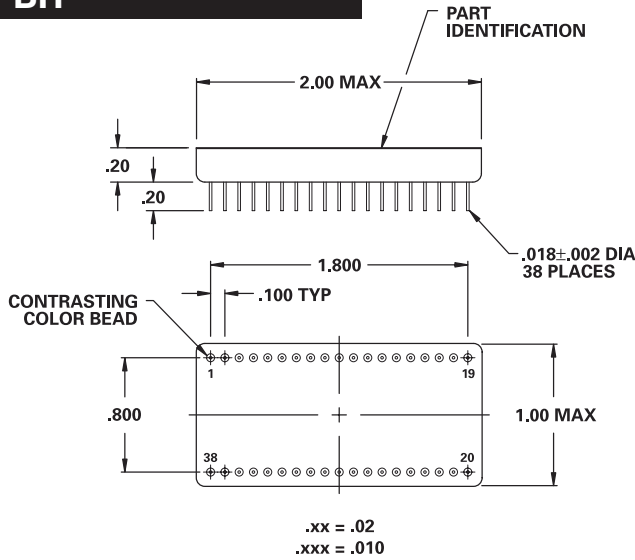
MODEL NUMBER DP0891

GaAs 5 Section Phase Shifter

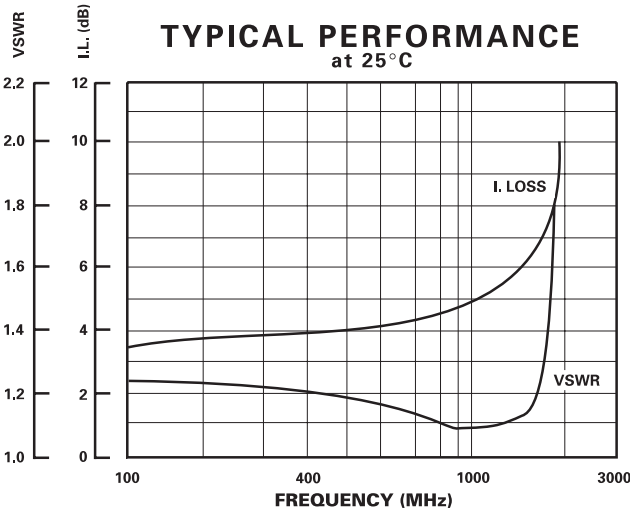
FEATURES

- 1010-1110 MHz
- Constant Insertion Loss
- 48 nSec Switching Speed
- TTL Control
- 38 Pin DIP

5 BIT



N/C = No Internal Connection



GUARANTEED PERFORMANCE

Parameter	Min	Typ	Max	Units	Conditions
Operating Frequency	1010		1110	MHz	
DC Current		1.2	10	mA	At +5 VDC Supply
Control Type		TTL			5 Line Logic "0" = Thru Logic "1" = Phase Shift
Control Current	High	1	±20	µA	VIH = +3.0 V
	Low	1	±20	µA	VIL = +0.5 V
Insertion Loss	Stability	±0.2	±0.5	dB	For All Phase Shifters
Phase Shift	LSB	11.25		DEG	
	Range	0	348.75	DEG	11.25, 22.5, 45, 90, 180
	Accuracy		±5	DEG	Any 1 Bit
			±10	DEG	Any Combination
VSWR		1.15/1	1.3/1		
Impedance		50		OHMS	
Switching Speed		48	100	nSec	50% TTL to 90% / 10% RF
Transition (Rise/Fall) Time		25		nSec	90% / 10% or 10% / 90% RF
Switching (Video) Transients		180		mV	Peak Value
Intercept Points	2nd	+80		dBm	
	3rd	+50		dBm	
RF Power	Operate	+26	+24	dBm	0.1 dB Compression
	No Damage		+27	dBm	
Operating Temperature	-40	+25	+70	°C	TA