

FEATURES

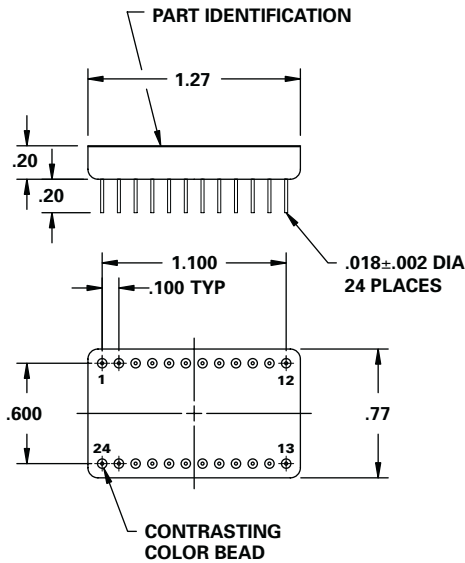
- 1700 - 2000 MHz
- LSB 0.25 dB
- Range 63.72 dB
- 24 Pin DIP



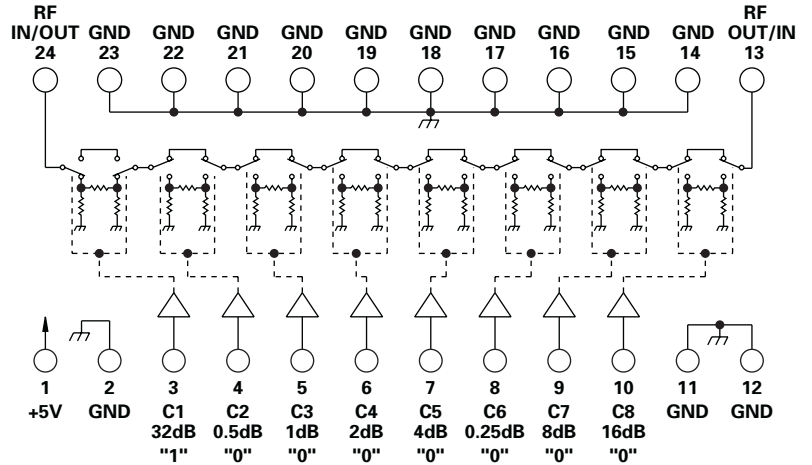
**MODEL NO.
DAT82050**

Attenuator 8 Section

8 BIT



.xx = .02
.xxx = .010



GUARANTEED PERFORMANCE

Parameter	Min	Typ	Max	Units	Conditions
Operating Frequency	1700		2000	MHz	
DC Current		10	15	mA	At +5 VDC Supply
Control Type		TTL			8 Line Logic "1" = Attenuation
Control Current	High Low		±10 ±10	µA µA	V _{IH} = +2.7 V V _{IL} = +0.5 V
Insertion Loss		7	9	dB	
Attenuation	LSB Range Accuracy	0	0.25 63.75	dB dB dB	0.5, 1, 2, 4, 8, 16, 32 dB ≤ .5 dB ± (.05 dB +15% of Atten. Setting in dB) 1 - 32 dB ± (0.25 dB +2% of Atten. Setting in dB)
VSWR		1.2/1	1.6/1		
Impedance		50		OHMS	
Switching Speed		1.1	1.5	µSec	50% TTL to 90% / 10% RF
Transition (Rise/Fall) Time		0.8		µSec	10% / 90% or 90% / 10% RF
Switching (Video) Transients		85		mV	Peak Value
Intercept Points	2nd 3rd	+60 +25	+68 +29	dBm dBm	1700 MHz / 900 MHz 850 MHz / 900 MHz
RF Power	Operate No Damage		+11 +10 +20	dBm dBm	0.1 dB Compression
Operating Temperature	0	+25	+71	°C	TA