

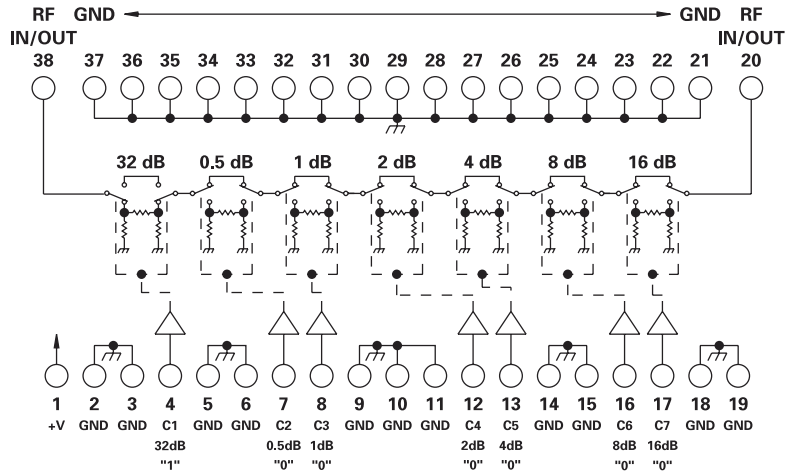
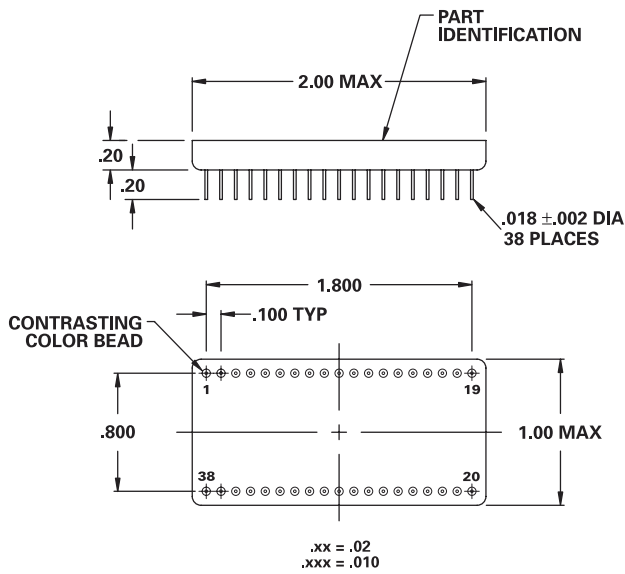
MODEL NUMBER DAT71987

PIN Diode 7 Section Attenuator

FEATURES

- 100-500 MHz
- 14 mA, +5 VDC
- 0.5 dB LSB, 63.5 dB Range
- 4.5 dB Insertion Loss
- CMOS Control
- Constant Phase

7 BIT



GUARANTEED PERFORMANCE

Parameter	Min	Typ	Max	Units	Conditions
Operating Frequency	100		500	MHz	
DC Current		12	30	mA	At +5 VDC Supply
Control Type		TTL			7 Line Logic "0" = Thru Logic "1" = Attenuation
Control Current	High Low		±10 ±10	µA	V _{IH} = +4.5 V V _{IL} = +0.5 V
Insertion Loss		4.2	6.0	dB	
Attenuation	LSB Range Accuracy	0.5		dB	0.5, 1, 2, 4, 8, 16, 32 ± (0.25 dB +2% of Atten. Setting in dB)
	Vs. Phase	±2.5	±10	DEG	
VSWR		1.2/1	1.6/1		
Impedance		50		OHMS	
Switching Speed		4	10	µSec	50% TTL to 90% / 10% RF
Transition (Rise/Fall) Time		1.5		µSec	90% / 10% or 10% / 90% RF
Switching (Video) Transients		500		mV	Peak Value
Intercept Points	2nd 3rd	+80 +38		dBm	300 / 200 MHz 150 / 200 MHz
RF Power	Operate No Damage	+12	+10 +20	dBm	0.1 dB Compression
Operating Temperature		-55	+25	+125	°C TA

