

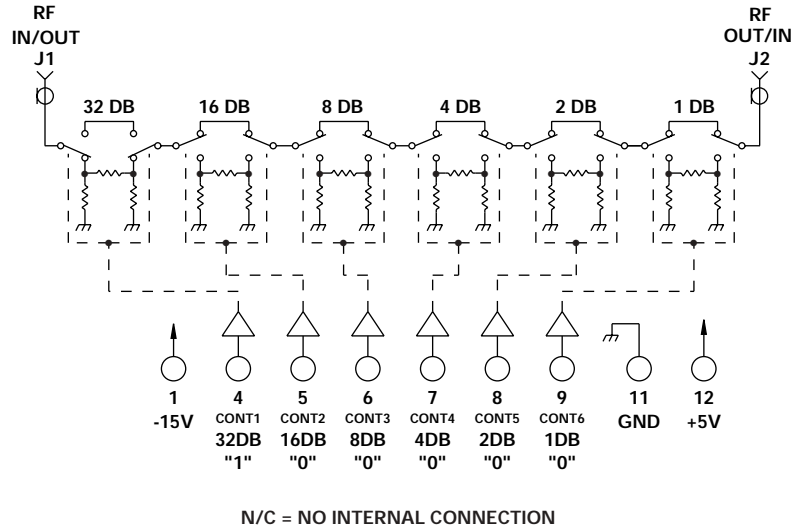
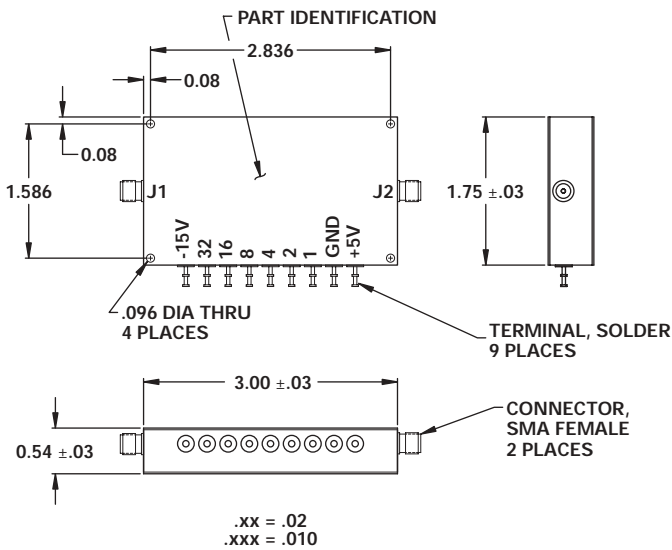
FEATURES

- DC - 400 MHz
- 2.2 dB Insertion Loss
- 20 mV Transients
- +21 dBm 0.1 dB Compression @ 1 MHz
- TTL Control
- SMA Connectors
- See DA0996 for 24 Pin DIP Version

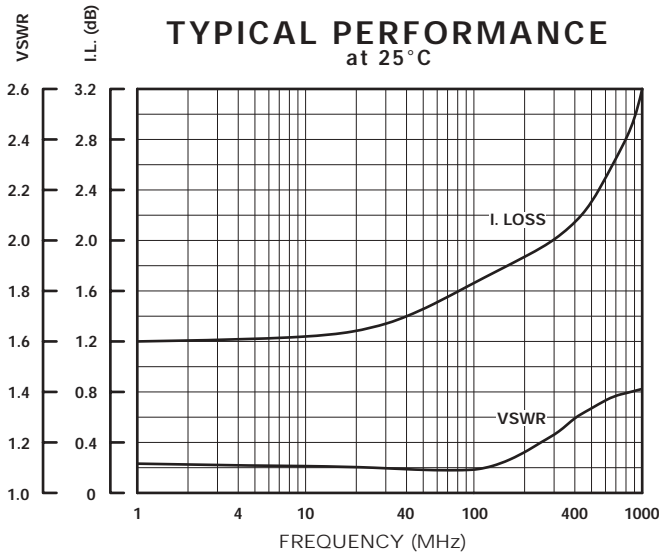


MODEL NO.
DAT69051

GaAs 6 Section Attenuator



GUARANTEED PERFORMANCE



| Parameter | Min | Typ | Max | Units | Conditions |
|------------------------------|--------------------------|----------------|----------------|----------|--|
| Operating Frequency | DC | | 400 | MHz | |
| DC Current | | 20 17 | 35 25 | mA | At +5 VDC Supply At -15 VDC Supply |
| Control Type | | TTL | | | 6 Line Logic "0" = Thru Logic "1" = Attenuation |
| Control Current | High Low | 0 0 | ±40 ±40 | µA | VIH = +2.7 V VIL = +0.5 V |
| Insertion Loss | | 1.7 2.2 | 3.0 4.0 | dB | DC - 100 MHz 100 - 400 MHz |
| Attenuation | LSB Range Accuracy | 0 | 1 63 | dB dB | 1, 2, 4, 8, 16, 32 ± (0.25 dB +2% of Atten. Setting in dB) |
| VSWR | | 1.2/1 1.3/1 | 1.3/1 1.7/1 | | DC - 100 MHz 100 - 400 MHz |
| Impedance | | 50 | | OHMS | |
| Switching Speed | | 70 | 200 | nSec | 50% TTL to 90% / 10% RF |
| Transition (Rise/Fall) Time | | 50 | | nSec | 90% / 10% or 10% / 90% RF |
| Switching (Video) Transients | | 20 | 80 | mV | |
| Intercept Points | 2nd 3rd | +50 +42 | | dBm | 5.6 MHz / 9.5 MHz 5.6 MHz / 7.3 MHz |
| RF Power | Operate No Damage | +21 | +15 +30 | dBm | 0.1 dB Compression |
| Operating Temperature | | -55 | +25 +85 | °C | TA |