

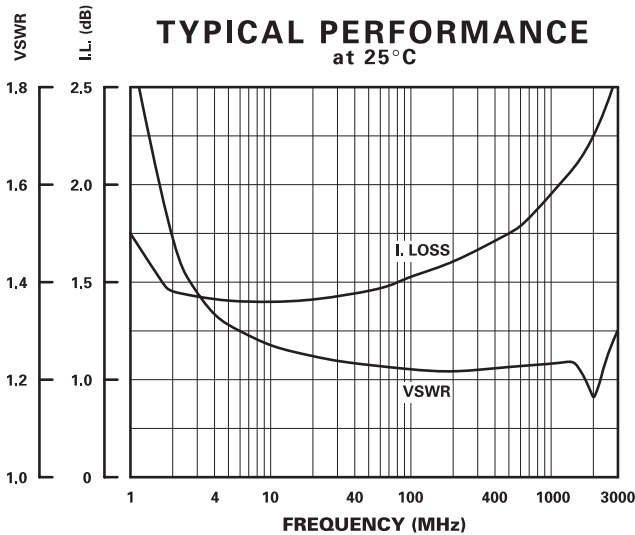
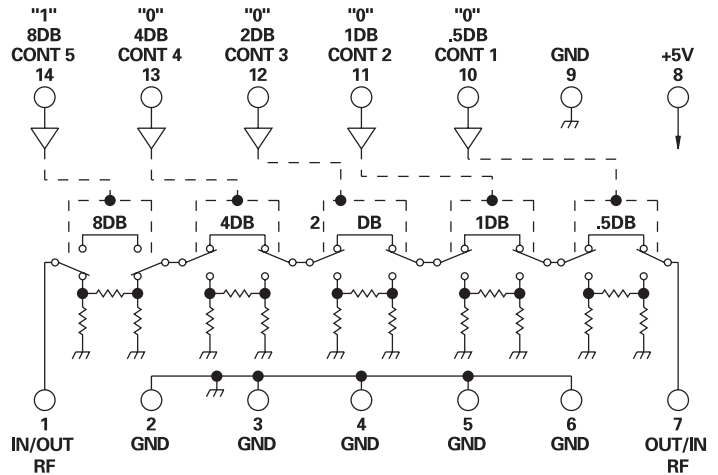
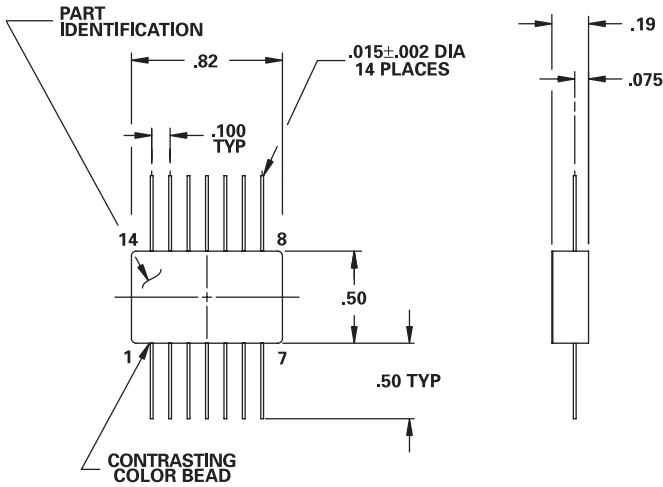
# MODEL NUMBER DAT58019

# GaAs 5 Section Attenuator

## FEATURES

- 10- 1000 MHz
- 0.7 mA, +5 VDC
- 0.5 dB LSB, 15.5 dB Range
- 1.9 dB Insertion Loss
- 17 nSec Switching Speed
- TTL Control
- 14 Pin Flatpack

## 5 BIT



## GUARANTEED PERFORMANCE

| Parameter                    | Min       | Typ   | Max   | Units | Conditions   |
|------------------------------|-----------|-------|-------|-------|--|
| Operating Frequency          | 10        |       | 1000  | MHz   |  |
| DC Current                   |           | 0.7   | 2.0   | mA    | At +5 VDC Supply   |
| Control Type                 |           | TTL   |       |       | 5 Line Logic "0" = Thru Logic "1" = Attenuation                |
| Control Current              | High      | 1     | ±20   | µA    | VIH = +2.7 V   |
|                              | Low       | 1     | ±20   | µA    | VIL = +0.5 V   |
| Insertion Loss               |           | 1.9   | 2.5   | dB    |  |
| Attenuation                  | LSB       | 0.5   |       | dB    | 0.5, 1, 2, 4, 8<br>± (0.25 dB ± 3% of Atten.<br>Setting in dB) |
|                              | Range     | 15.5  |       | dB    |  |
|                              | Accuracy  |       |       | dB    |  |
| VSWR                         |           | 1.4/1 | 1.6/1 |       |  |
| Impedance                    |           | 50    |       | OHMS  |  |
| Switching Speed              |           | 17    | 30    | nSec  | 50% TTL - 90% / 10% RF   |
| Transition (Rise/Fall) Time  |           | 12    |       | nSec  | 10% / 90% - 90% / 10% RF                                       |
| Switching (Video) Transients |           | 76    |       | mV    | Peak Value   |
| Intercept Points             | 2nd       | +60   |       | dBm   | 70 MHz / 50 MHz  |
|                              | 3rd       | +42   |       | dBm   | 70 MHz / 50 MHz  |
| RF Power                     | Operate   | +6.7  | +6    | dBm   | 1.0 dB Compression <50 MHz                                     |
|                              |           | +12.7 | +10   | dBm   | 1.0 dB Compression >50 MHz                                     |
|                              | No Damage |       | +23   | dBm   |  |
| Operating Temperature        | -55       | +25   | +85   | °C    | TA   |