

FEATURES

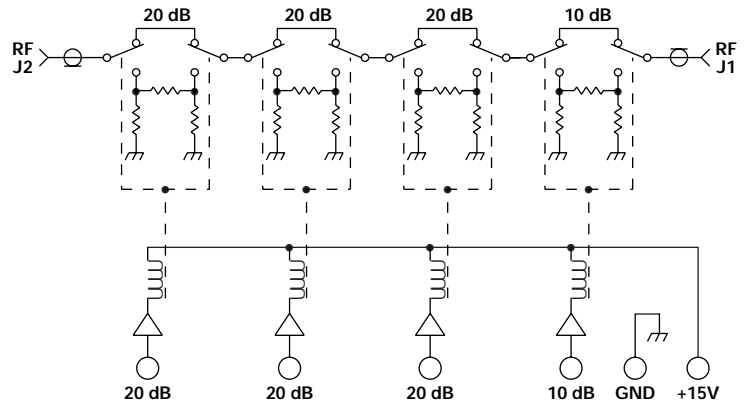
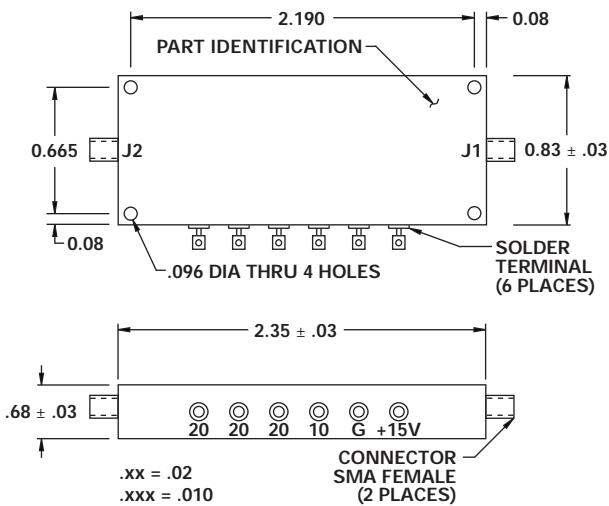
- DC - 2500 MHz
- 10 dB LSB, 70 dB Range
- 1.6 dB Insertion Loss
- TTL Control
- SMA Connectors
- Ideal for Test Equipment Applications
- Available in any Attenuation - Contact Factory



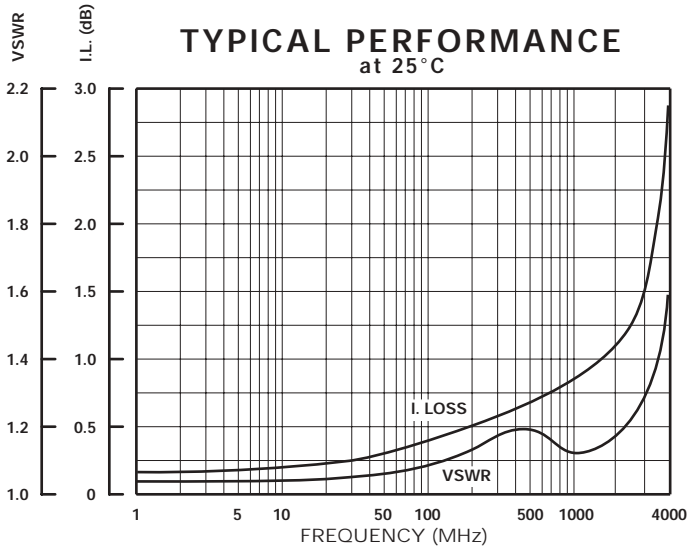
MODEL NO.
DAT49064

Attenuator 4 Section

4 BIT



GUARANTEED PERFORMANCE



| Parameter | Min | Typ | Max | Units | Conditions |
|-----------------------|-----|-------|-------|-------|---|
| Operating Frequency | DC | | 2500 | MHz | |
| DC Current | | 100 | 130 | mA | At +15 VDC Supply at 70 dB |
| Control Type | | TTL | | | 4 Line Logic "0" = Thru Logic "1" = Attenuation |
| Insertion Loss | | 1.6 | 2.0 | dB | |
| Attenuation | | 10 | 70 | dB | 10, 20, 20, 20 |
| LSB | | 0.04 | ±0.1 | dB | DC - 2000 MHz |
| Range | | 0.2 | ±0.4 | dB | 2000 - 2500 MHz |
| Accuracy (10 dB) | | 0.1 | ±0.2 | dB | DC - 1000 MHz |
| (20 dB) | | 0.2 | ±0.4 | dB | 1000 - 2000 MHz |
| | | 0.2 | ±0.8 | dB | 2000 - 2500 MHz |
| VSWR | | 1.3/1 | 1.4/1 | | |
| Impedance | | 50 | | OHMS | |
| Switching Speed | | | 5 | mSec | |
| RF Power | | +30 | | dBm | At +55°C |
| | | | | dBm | |
| Operating Temperature | -55 | +25 | +85 | °C | TA |