

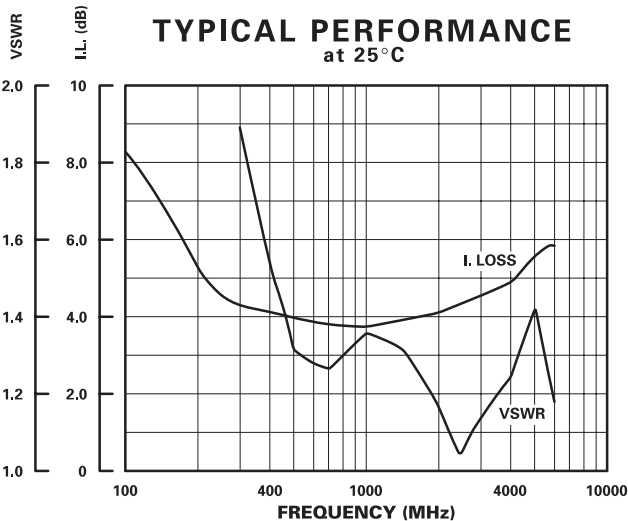
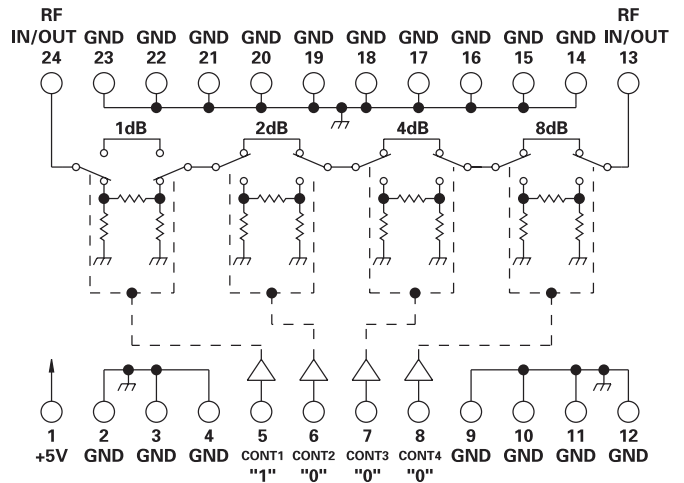
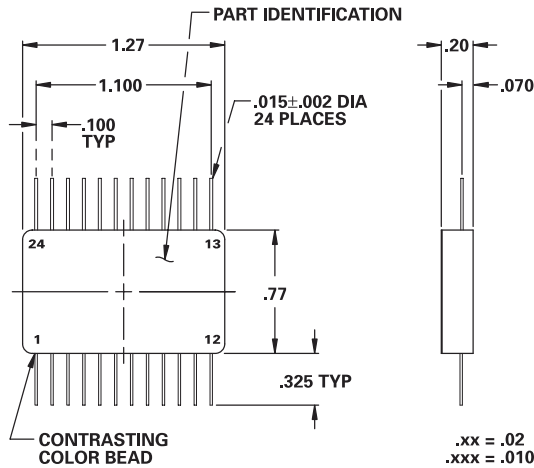
MODEL NUMBER DAT48060

Attenuator 4 Section

FEATURES

- 1800-4200 MHz
- 50 nSec Switching Speed
- CMOS Control
- 24 Pin Flatpack

4 BIT



GUARANTEED PERFORMANCE

| Parameter | Min | Typ | Max | Units | Conditions |
|------------------------------|--------------------------------------|------------|-------------------|----------------|----------------------------------------------------------|
| Operating Frequency | 1800 | | 4200 | MHz | |
| DC Current | | 0.8 | 5.0 | mA | At +5 VDC Supply |
| Control Type | | CMOS | | | 4 Line Logic "0" = Thru Logic "1" = Attenuation |
| Control Current | High Low | 0 0 | ±40 ±40 | µA | 2.7 Volts 0.5 Volts |
| Insertion Loss | | 5.0 | 6.0 | dB | |
| Attenuation | LSB Range Accuracy Flatness | 0 | 1 15 | dB dB dB | 1, 2, 4, 8 ± (0.25 dB +5% of Atten. Setting in dB) |
| VSWR | | 1.3/1 | 1.7/1 | | |
| Impedance | | 50 | | OHMS | |
| Switching Speed | | 27 | 50 | nSec | 50% TTL to 90% / 10% RF 90% / 10% RF |
| Transition (Rise/Fall) Time | | 12 | | nSec | 90% / 10% or 10% / 90% RF |
| Switching (Video) Transients | | 75 | | mV | Peak Value |
| Intercept Points | 2nd 3rd | +65 +38 | +70 +43 | dBm dBm | 1950 / 750 MHz Inputs 975 / 750 MHz Inputs |
| RF Power | Operate No Damage | | +22 +10 +23 | dBm dBm | 0.1 dB Compression |
| Operating Temperature | | 0 | +25 | +65 | °C TA |
| Non-Operating Temperature | | -34 | | +95 | °C TA |