

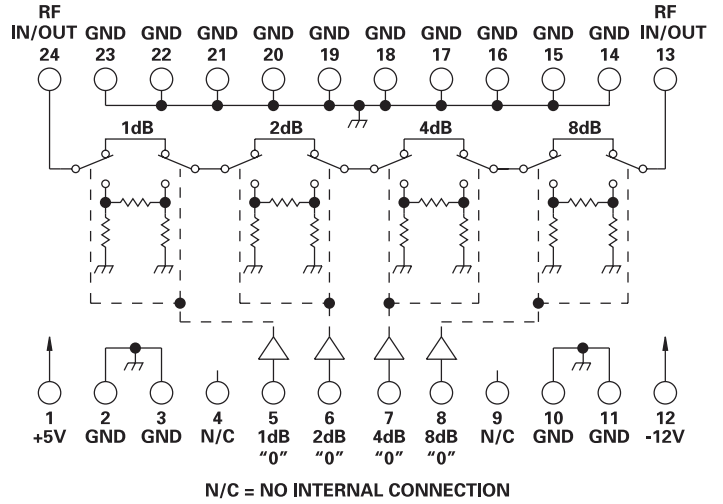
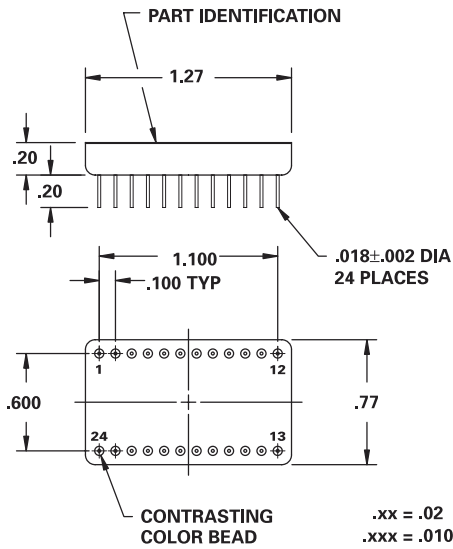
MODEL NUMBER DAT42182

Attenuator 4 Section

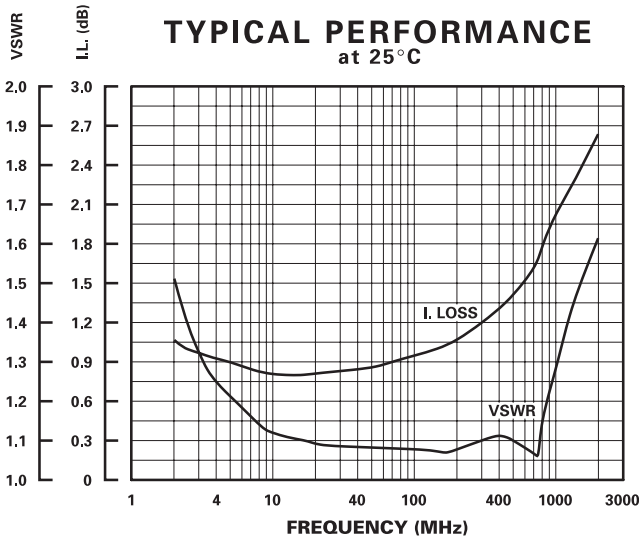
FEATURES

- 5-300 MHz
- Low Insertion Loss
- +51 dB Third Order Intercept
- 36 mV Transients
- 350 nSec Switching Speed
- TTL Control
- 24 Pin DIP

4 BIT



GUARANTEED PERFORMANCE



Parameter	Min	Typ	Max	Units	Conditions
Operating Frequency	5		300	MHz	
DC Current		3.3 8.8	15 15	mA	At +5 VDC Supply At -12 VDC Supply
Control Type		TTL			4 Line Logic "1" = Attenuation
Control Current	High Low	1 1	40 40	µA	V _{IH} = +2.7 Volts V _{IL} = +0.5 Volts
Insertion Loss		0.92	2.0	dB	
Attenuation	LSB Range Accuracy	0	1 15	dB dB	1, 2, 4, 8 ± (0.25 dB +2% of Atten. Setting in dB)
VSWR		1.15/1	1.5/1		
Impedance		50		OHMS	
Switching Speed		350	700	nSec	50% TTL to 90% / 10% RF
Transition (Rise/Fall) Time		100		nSec	90% / 10% or 10% / 90% RF
Switching (Video) Transients		36	100	mV	Peak Value
Intercept Points	2nd 3rd	+75 +45	+83 +51	dBm dBm	160 / 90 MHz 80 / 90 MHz
RF Power	Operate No Damage	+25	+18 +27	dBm dBm	0.1 dB Compression
Operating Temperature		0	+25 +50	°C	TA