

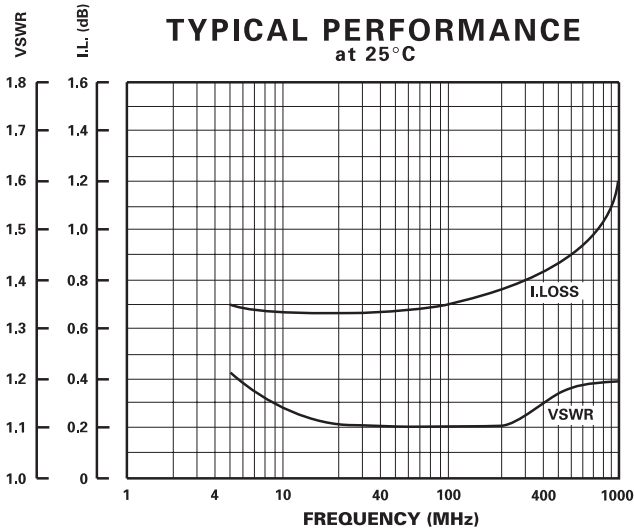
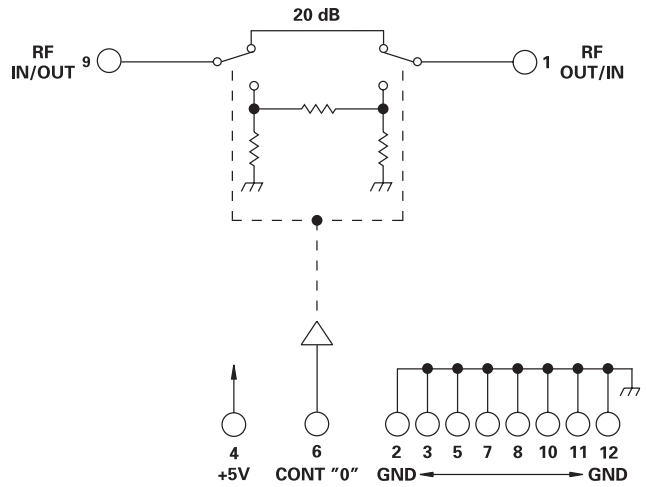
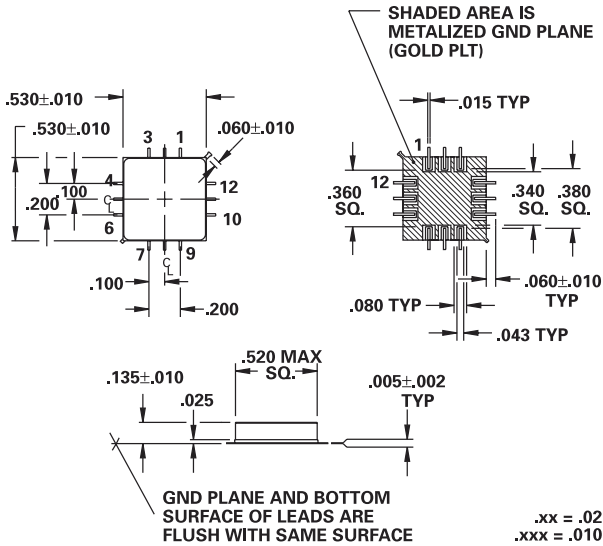
MODEL NUMBER DAT15073

Attenuator 1 Section

FEATURES

- 200-600 MHz
- Small Size
- Surface Mount
- 0.2mA, 5 Volt

1 BIT



GUARANTEED PERFORMANCE

Parameter	Min	Typ	Max	Units	Conditions
Operating Frequency	200		600	MHz	
DC Current		0.2	1.0	mA	At +5 VDC Supply
Control Type		CMOS			1 Line Logic "0" = Thru Logic "1" = Attenuation
Control Current		0	±20	µA	3 - 5 Volts
		0	±20	µA	0 - 0.5 Volts
Insertion Loss		1.0	1.5	dB	
Attenuation		0	20	dB	See Table
		LSB		dB	See Table
		Range		dB	±(0.15 dB +2% of Atten Setting in dB)
		Accuracy		dB	
		Flatness		±0.2	dB
VSWR		1.1/1	1.25/1		
Impedance		50		OHMS	
Switching Speed		20	50	nSec	50% Control Signal 90% / 10% RF
Transition (Rise/Fall) Time		10		nSec	90% / 10% or 10% / 90% RF
Switching (Video) Transients		45		mV	Peak Value
Intercept Points		2nd	+75	+80	dBm
		3rd	+40	+48	dBm
RF Power		Operate	+12	+10	dBm
		No Damage		+27	dBm
Operating Temperature	0	+25	+65	°C	TA
Non-Operating Temperature	-34		+95	°C	TA