

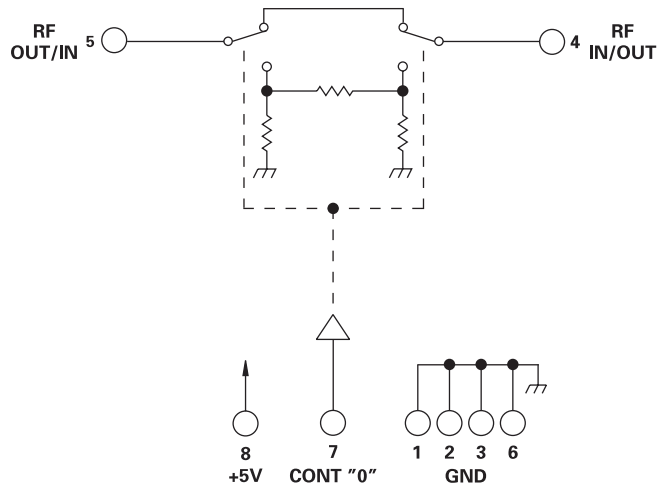
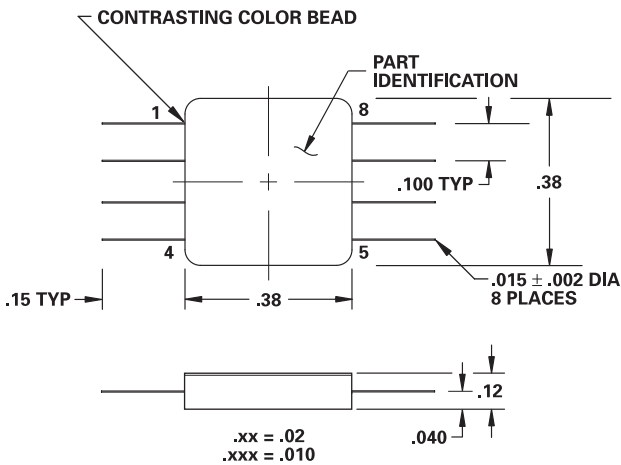
**MODEL NUMBER
DA0944-10**

GaAs 1 Section Attenuator

FEATURES

- 5-1000 MHz
- 0.4 mA, +5 VDC
- TTL Control
- 0.380 Sq. Package

1 BIT



GUARANTEED PERFORMANCE

Parameter	Min	Typ	Max	Units	Conditions
Operating Frequency	5		1000	MHz	
DC Current		0.4	1.0	mA	At +5 VDC Supply
Control Type		TTL			1 Line Logic "0" = Thru Logic "1" = Attenuation
Control Current	High Low	0	±20	µA	V _{IH} = +3.0 V V _{IL} = +0.5 V
Insertion Loss		0.9	1.2	dB	5 - 200 MHz
Attenuation	LSB Range Accuracy	0	10	dB	200 - 1000 MHz 10 ± (0.25 dB +2% of Atten. Setting in dB)
VSWR		1.2/1	1.35/1		
Impedance		50		OHMS	
Switching Speed		30	50	nSec	50% TTL to 90% / 10% RF
Transition (Rise/Fall) Time		20		nSec	10% / 90% - 90% / 10% RF
Switching (Video) Transients		45		mV	Peak Value
Intercept Points	2nd 3rd	+73 +48		dBm	70 MHz / 50 MHz 35 MHz / 50 MHz
RF Power	Operate No Damage	+13 +30	+10 +30	dBm	0.1 dB Compression
Operating Temperature		-55	+25	+125	°C TA

