



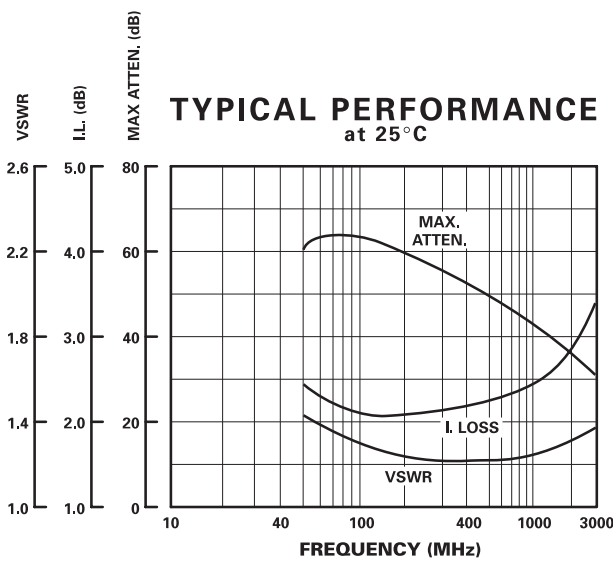
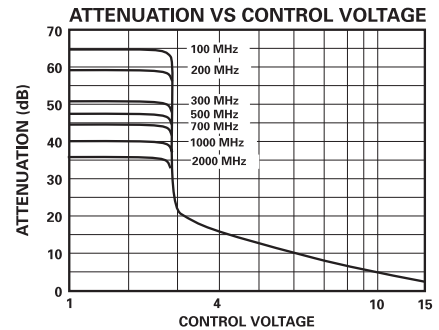
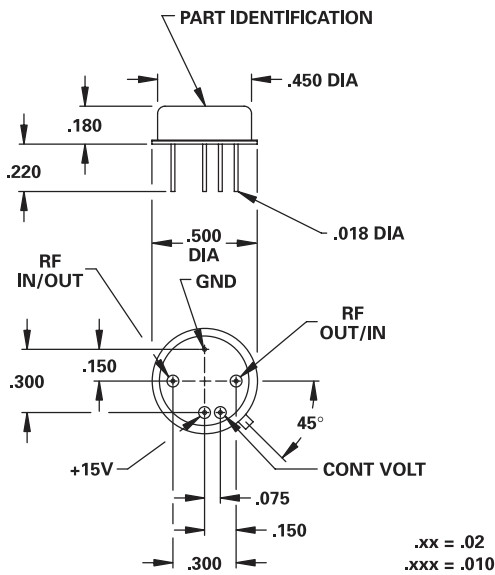
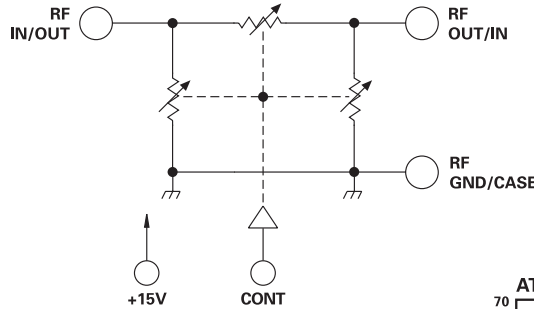
MODEL NUMBER DA0930

PIN Diode VCA

FEATURES

- 100-2000 MHz
- 48 dB Range
- TO-8 Package
- Low Cost

VCA



GUARANTEED PERFORMANCE

Parameter	Min	Typ	Max	Units	Conditions
Operating Frequency	100		2000	MHz	
DC Current					At +15 V
	Supply	4	10	mA	0 V Max. Atten., 15 V = I.L.
	Control	8	10	mA	
Control Type					0 to +15 VDC into a 2K OHM ±20% Input Impedance
Insertion Loss		2.3	3.0	dB	100 - 500 MHz
		2.4	3.25	dB	500 - 1000 MHz
		2.9	3.75	dB	1000 - 2000 MHz
Max Attenuation					
	40	48		dB	100 - 500 MHz
	35	41		dB	500 - 1000 MHz
	25	36		dB	1000 - 2000 MHz
Flatness					
		±0.5	±1.0	dB	100 - 1000 MHz
		±1.0	±1.5	dB	1000 - 2000 MHz
VSWR					
		1.4/1	1.8/1		100 - 1000 MHz
		1.4/1	2/1		1000 - 2000 MHz
		1.5/1	2.2/1		1000 - 2000 MHz
Impedance		50		OHMS	
Slew Rate					
		1	2	µSec	10% / 90% RF
		4	6	µSec	50% Cont 0% / 100% RF
Intercept Points					
	2nd	+37		dB	300 MHz / 200 MHz
	3rd	+41		dB	150 MHz / 200 MHz
RF Power					
	Operate	+10	+6	dBm	100 - 200 MHz
		+13	+10	dBm	200 - 500 MHz
		+20	+15	dBm	500 - 2000 MHz
	No Damage		+23	dBm	
Operating Temperature	-55	+25	+125	°C	TA