

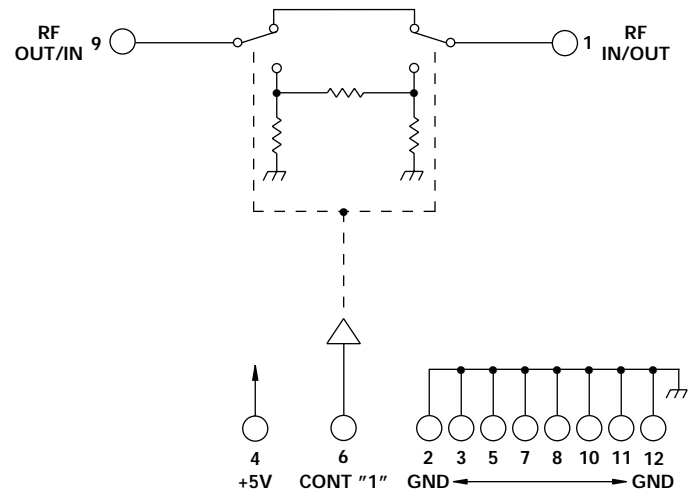
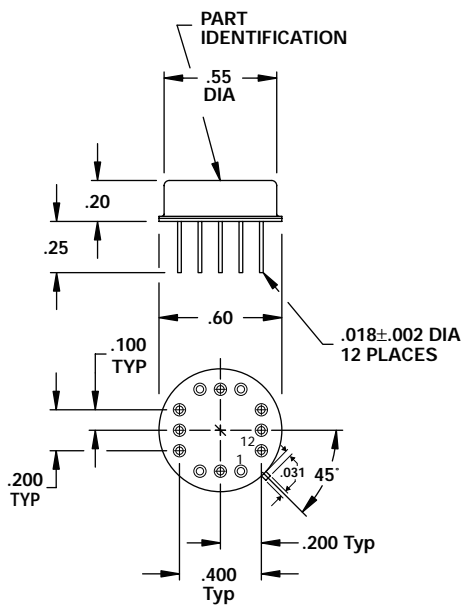
FEATURES

- 10 - 1000 MHz
- 0.1 mA, +5 VDC
- ± 0.1 dB Accuracy
- Constant Phase
- Medium Power
- TTL Driver
- TO-8 Package
- See 100C1711-10 For Connectorized Version



MODEL NO.
DA0923-10

GaAs 1 Section Attenuator



GUARANTEED PERFORMANCE

Parameter	Min	Typ	Max	Units	Conditions
Operating Frequency	10		1000	MHz	
DC Current		0.1	1	mA	At +5 VDC Supply
Control Type		TTL			1 Line, Reverse Logic Available Logic "0" = Attenuation Logic "1" = Thru
Control Current		High Low	0 0	± 20 ± 20	μ A μ A VIH = +3.0 V VIL = +0.5 V
Insertion Loss			1.0 1.2	1.4 1.8	dB dB 10 - 700 MHz 700 - 1000 MHz
Attenuation		Fixed Range Accuracy	0 ± 0.10	10 ± 0.25	dB dB dB
Phase Change Vs. Attenuation			+0.1 +2.0	± 1 ± 5	DEG DEG 10 - 300 MHz 300 - 1000 MHz
VSWR			1.1/1	1.3/1	
Impedance			50	OHMS	
Switching Speed			58	100	nSec 50% TTL to 90% / 10% RF
Transition (Rise/Fall) Time			32		nSec 10% / 90% - 90% / 10% RF
Switching (Video) Transients			24		mV Peak Value
Intercept Points			+100 +40		dBm dBm 214 MHz / 127 MHz 107 MHz / 127 MHz
RF Power		Operate No Damage	+18 +28	+15 +24 +30	dBm dBm dBm 0.1 dB Compression 0.1 dB Comp., 500 - 700 MHz
Operating Temperature	-55	+25	+125	$^{\circ}$ C	TA

