

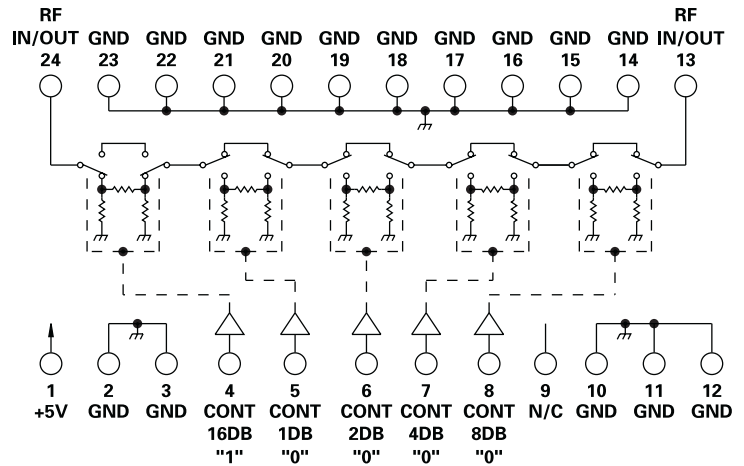
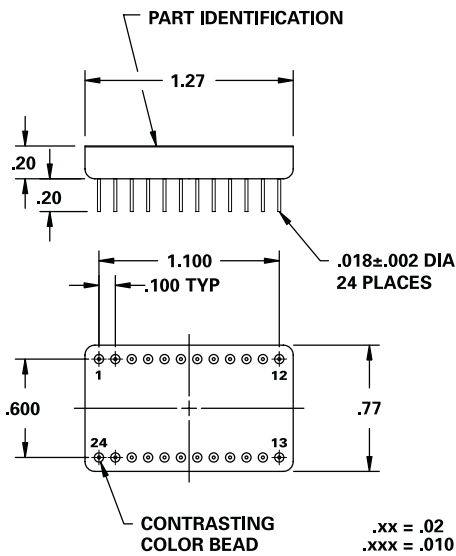
MODEL NUMBER DA0885

GaAs 5 Section Attenuator

FEATURES

- 10 - 1000 MHz
- 1 mA, +5 VDC
- 1 dB LSB, 31 dB Range
- 38 nSec Switching Speed
- 12 nSec Transition Time
- TTL Control
- 24 Pin DIP

5 BIT



GUARANTEED PERFORMANCE

| Parameter | Min | Typ | Max | Units | Conditions |
|------------------------------|---------------------------------------|------------|------------|-----------------------|---|
| Operating Frequency | 10 | | 1000 | MHz | |
| DC Current | | 1 | 5 | mA | At +5 VDC Supply |
| Control Type | | TTL | | | 5 Line Logic "0" = Thru Logic "1" = Attenuation |
| Control Current | High Low | 0 0 | ±40 ±40 | µA µA | VIH = +3.0 V VIL = +0.5 V |
| Insertion Loss | | | 3.9 5.1 | 5.0 6.5 | dB dB 10 - 100 MHz 100 - 1000 MHz |
| Attenuation | LSB Range Accuracy Vs. Phase | 0 | 1 31 | dB dB dB DEG | 1, 2, 4, 8, 16 ± (0.25 dB ± 2% of Atten. Setting in dB) At 240 MHz |
| VSWR | | 1.2/1 | 1.4/1 | | |
| Impedance | | 50 | | OHMS | |
| Switching Speed | | 38 | 50 | nSec | 50% TTL to 90% / 10% RF |
| Transition (Rise/Fall) Time | | 12 | | nSec | 90% / 10% or 10% / 90% RF |
| Switching (Video) Transients | | 130 | | mV | Peak Value |
| Intercept Points | 2nd 3rd | +65 +44 | | dBm dBm | 70 MHz / 50 MHz 35 MHz / 50 MHz |
| RF Power | Operate No Damage | +13 | +10 +27 | dBm dBm | 0.1 dB Compression |
| Operating Temperature | | -55 | +25 | +125 | °C TA |

