

## FEATURES

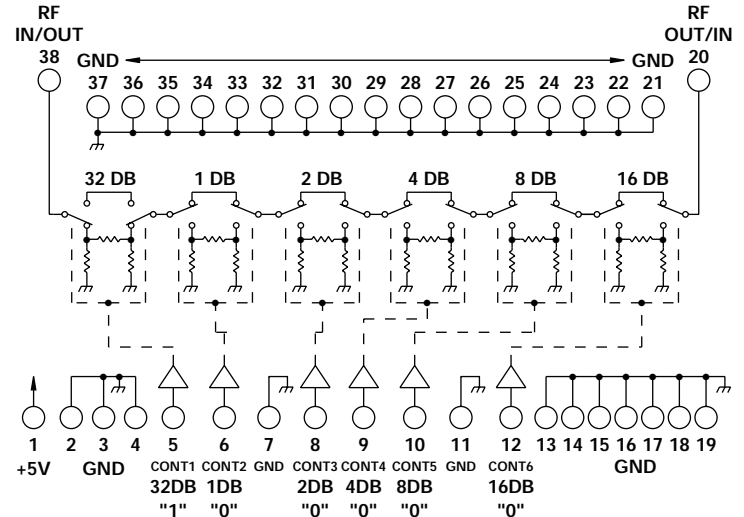
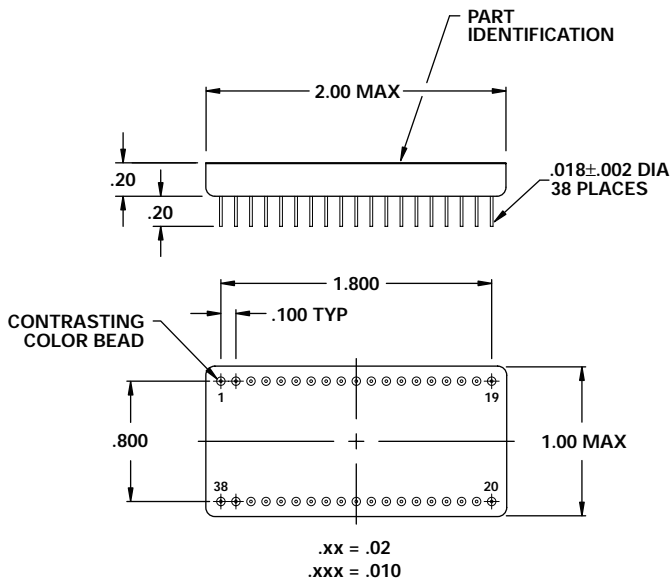
- 100 - 200 MHz
- 50 mA, +5 VDC
- 1 dB LSB, 63 dB Range
- TTL Control
- 38 Pin DIP

6 BIT

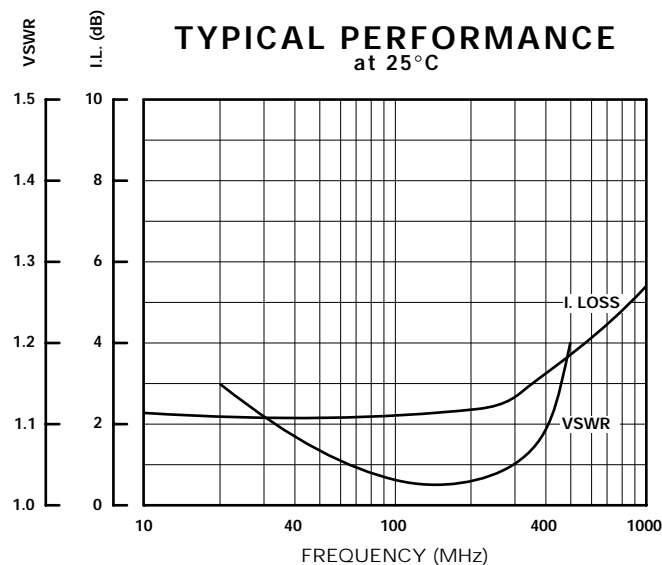


MODEL NO.  
DA0844

## PIN Diode 6 Section Attenuator



## GUARANTEED PERFORMANCE



Parameter	Min	Typ	Max	Units	Conditions
Operating Frequency	100		200	MHz	
DC Current		50	85	mA	At +5 VDC Supply
Control Type		TTL			6 Line Logic "0" = Thru Logic "1" = Attenuation
Control Current	High Low		40 -400	μA	V <sub>IH</sub> = +2.7 V V <sub>IL</sub> = +0.5 V
Insertion Loss		2.5	7.0	dB	
Attenuation	LSB Range Accuracy	0	1 63	dB dB dB	1, 2, 4, 8, 16, 32 ± (0.25 dB +2% of Atten. Setting in dB)
VSWR		1.25/1	1.4/1		
Impedance		50		OHMS	
Switching Speed		10	50	μSec	50% TTL to 90% / 10% RF
Transition (Rise/Fall) Time		5		μSec	90% / 10% or 10% / 90% RF
Switching (Video) Transients		100		mV	Peak Value
RF Power	Operate No Damage	+18	+13 +20	dBm dBm	0.1 dB Compression
Operating Temperature	-40	+25	+85	°C	TA