

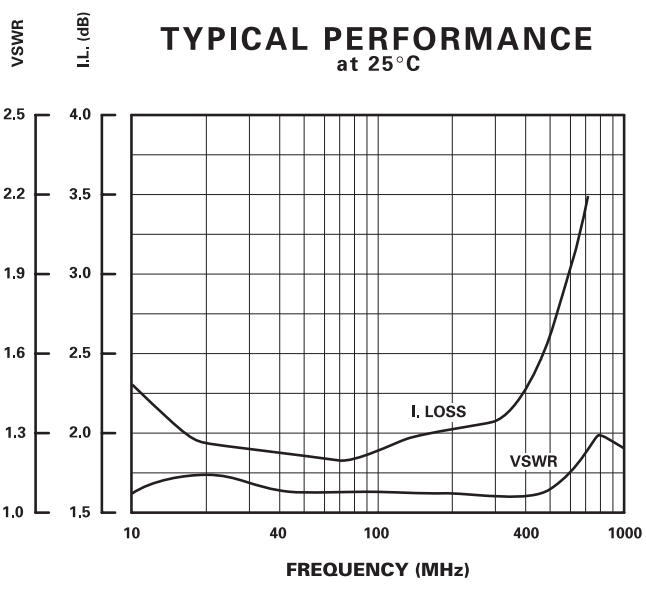
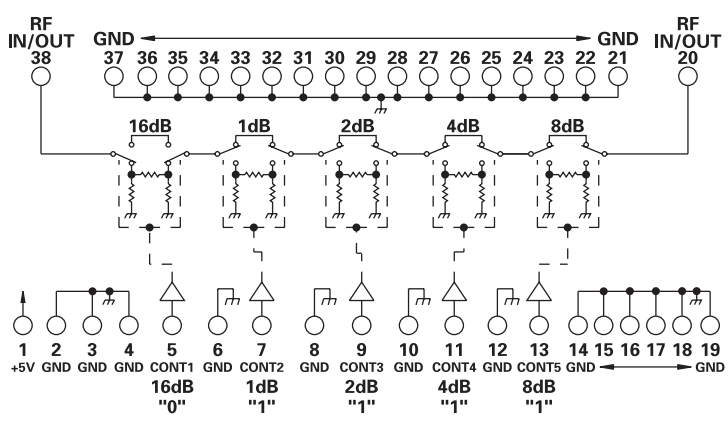
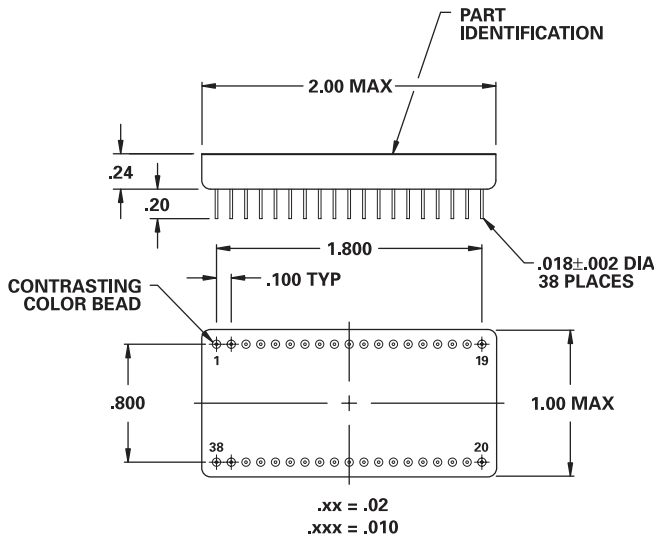
MODEL NUMBER DA0659

PIN Diode 5 Section Attenuator

FEATURES

- 30-300 MHz
- 1 dB LSB, 31 dB Range
- Constant Phase
- 2.2 dB Insertion Loss
- +37 dBm 3rd Order Intercept
- TTL Driver
- 38 Pin DIP

5 BIT



GUARANTEED PERFORMANCE

Parameter	Min	Typ	Max	Units	Conditions
Operating Frequency	30		300	MHz	
DC Current		50	60	mA	At +5 VDC Supply
Control Type		TTL			5 Line Logic "0" = Attenuation Logic "1" = Thru
Control Current	High	1.0	±10	µA	V _{IH} = +2.7 V
	Low	1.0	±10	µA	V _{IL} = +0.5 V
Insertion Loss		2.2	3.0	dB	100 - 200 MHz
Attenuation	LSB	1		dB	
	Range	0	31	dB	1, 2, 4, 8, 16
	Accuracy			dB	± (0.15 dB ± 2% of Atten. Setting in dB)
Phase Vs. Attenuation			±1.25	DEG	30 - 70 MHz
			±1.88	DEG	70 - 150 MHz
			±2.50	DEG	150 - 200 MHz
			±3.13	DEG	200 - 300 MHz
VSWR		1.1/1	1.22/1		
Impedance		50		OHMS	
Switching Speed		0.6	1	µSec	50% TTL to 90% / 10% RF
Transition (Rise/Fall) Time		90		nSec	90% / 10% or 10% / 90% RF
Switching (Video) Transients		1.0		V	Peak Value
Intercept Points	2nd	+70		dBm	34.8 MHz / 52.2 MHz
	3rd	+37		dBm	69.6 MHz / 52.2 MHz
RF Power	Operate	+14	+10	dBm	0.1 dB Compression
	No Damage	+27		dBm	
Operating Temperature	-55	+25	+125	°C	TA