

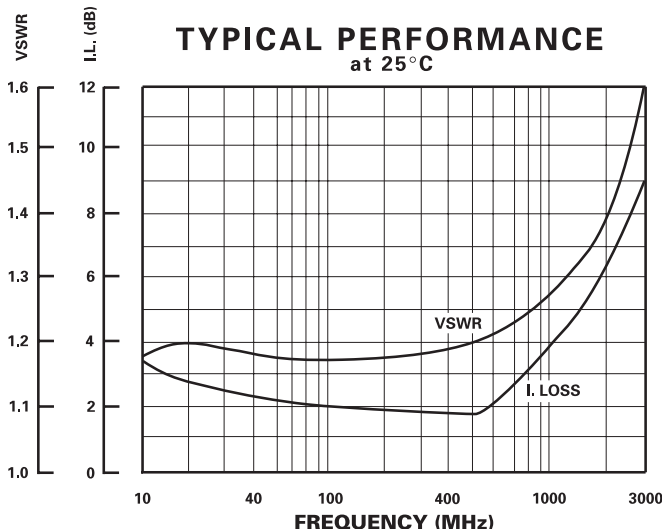
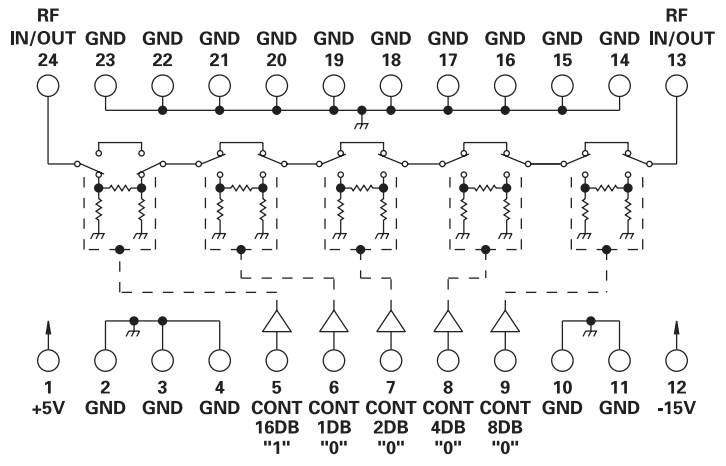
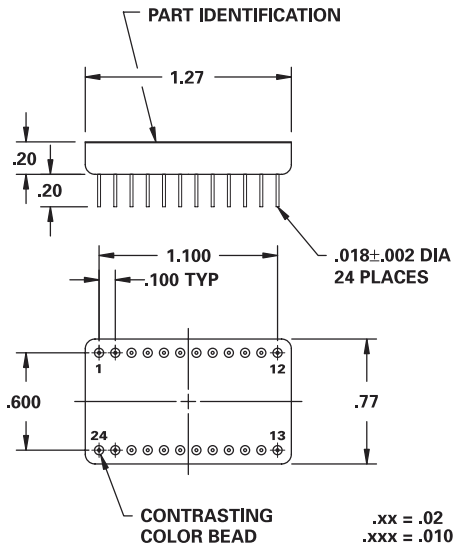
MODEL NUMBER DA0620

Attenuator 5 Section

FEATURES

- 100- 1900 MHz
- 1 dB LSB, 31 dB Range
- CMOS Control
- 24 Pin DIP

5 BIT



GUARANTEED PERFORMANCE

Parameter	Min	Typ	Max	Units	Conditions
Operating Frequency	100		1900	MHz	
DC Current		72	125	mA	At +5 VDC Supply
		50	75	mA	At -15 VDC Supply
Control Type		CMOS			5 Line Logic "0" = Thru Logic "1" = Attenuation
Control Current	High	0	±1	µA	V _{IH} = +5.0 V
	Low	0	±1	µA	V _{IL} = 0 V
Insertion Loss		5	7	dB	100 - 1000 MHz
		7	10	dB	1000 - 1900 MHz
Attenuation	LSB	0	1	dB	1, 2, 4, 8, 16 ± (0.25 dB ± 3% of Atten. Setting in dB)
	Range Accuracy		31	dB	
VSWR		1.25/1	1.5/1		100 - 1000 MHz
		1.4/1	1.7/1		1000 - 1900 MHz
Impedance		50		OHMS	
Switching Speed		2.6	5.0	µSec	50% Control to 90% / 10% RF
Transition (Rise/Fall) Time		2		µSec	90% / 10% or 10% / 90% RF
RF Power	Operate	+17	+10	dBm	100 - 500 MHz
		+20	+13	dBm	500 - 1900 MHz
	No Damage		+27	dBm	
Operating Temperature	-55	+25	+125	°C	TA