

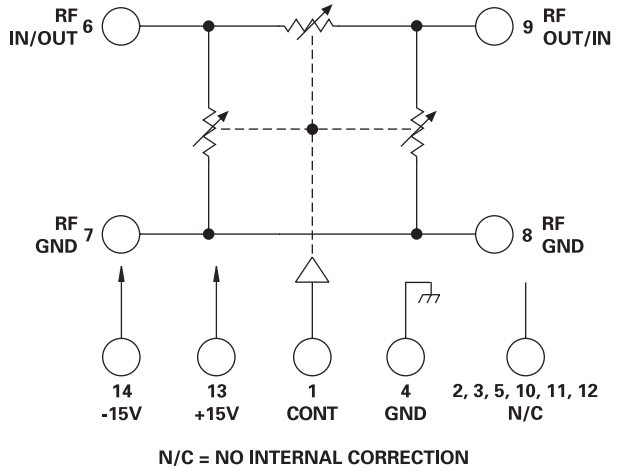
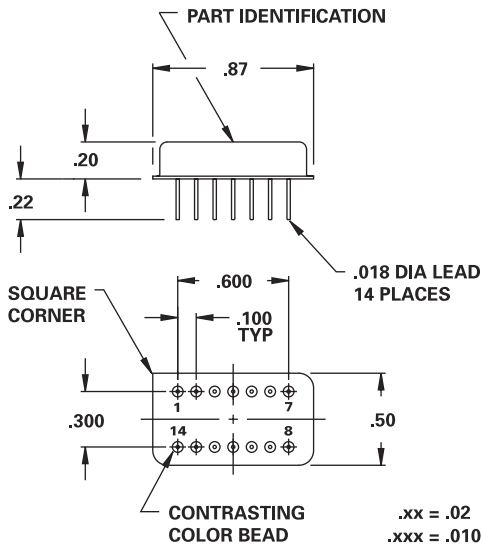
**MODEL NUMBER  
DA0425**

**PIN Diode Linear VCA**

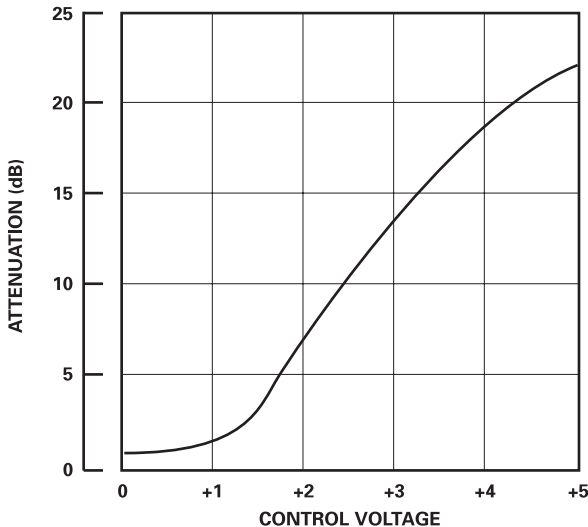
**FEATURES**

- 100-600 MHz
- 20 dB Linear Range Typical
- ±0.5 dB Linearity
- 1.5 dB Insertion Loss
- +42 dBm 3rd Order Intercept
- 14 Pin DIP

**VCA**



**TYPICAL PERFORMANCE**  
Attenuation vs Control Voltage at 500 MHz



**GUARANTEED PERFORMANCE**

Parameter	Min	Typ	Max	Units	Conditions
Operating Frequency	100		600	MHz	
DC Current		33	50	mA	At +15 VDC Supply
		22	40	mA	At -15 VDC Supply
Control Type					0 to 5V (Analog Input)
Control Current		0.5	1	mA	0 V = I.L. +5 V = Max. Atten.
Insertion Loss			1.5	dB	At 0 V Control
Attenuation	Range	18		dB	0 V to 5 V Control
	Slope	5.0	6.5	dB/V	Ref. to Best Straight Line Fit
	Linearity		±0.5	dB	Best Straight Line Fit From IL +1.5 dB to 15 dB
VSWR		1.1/1	1.25/1		
Impedance		50		OHMS	
Slew Rate		6.5		dB/μs	
Intercept Points	2nd	+75		dBm	127 MHz / 214 MHz
	3rd	+42		dBm	107 MHz / 127 MHz
RF Power	Operate		+10	dBm	
	No Damage		+20	dBm	
Operating Temperature	-55	+25	+85	°C	TA