

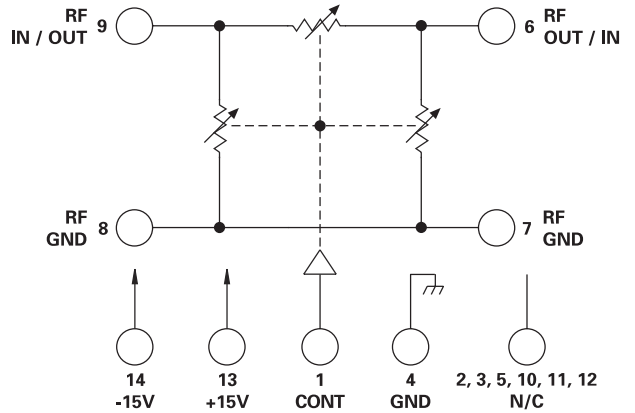
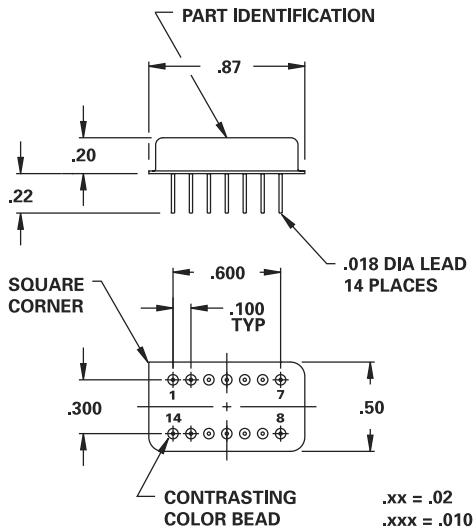
MODEL NUMBER DA0035

PIN Diode Linear VCA

FEATURES

- 20-300 MHz
- 20 dB Linear Range Typical
- ± 0.8 dB Linearity
- +44 dBm 3rd Order Intercept
- 0.8 dB Insertion Loss
- 14 Pin DIP
- See 100C0911 For Connectorized Version

VCA



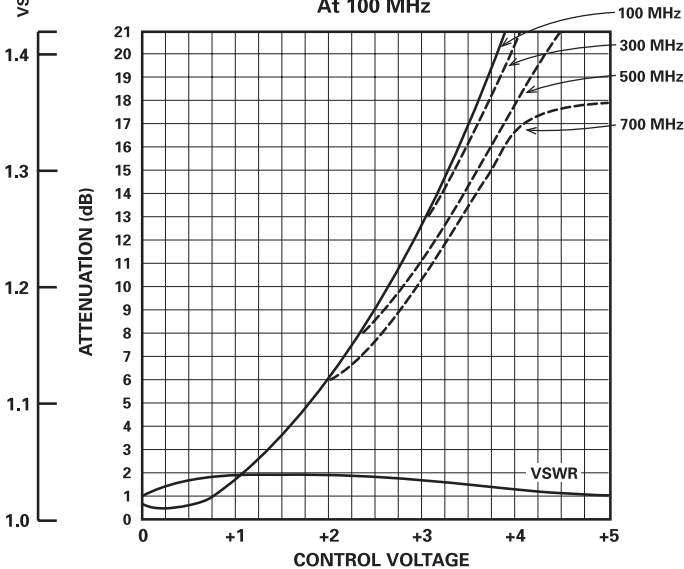
N/C = NO INTERNAL CORRECTION

GUARANTEED PERFORMANCE

Parameter	Min	Typ	Max	Units	Conditions
Operating Frequency	20		300	MHz	
DC Current		25	25	mA	At +15 VDC Supply At -15 VDC Supply
Control Current			1	mA	0 V to +5 V Control
Insertion Loss		0.8	1.5	dB	
Attenuation	Range	18	20	dB	Best Straight Line Fit From IL +1.5 dB to 18 dB
	Slope		6.5 \pm 1.5	dB/V	
	Linearity		± 0.8	dB	
VSWR		1.15	1.25/1		
Impedance		50		OHMS	
Slew Rate		6		dB/ μ s	
Intercept Points	2nd		+77	dBm	
	3rd		+44	dBm	
RF Power	Operate		+10	dBm	
	No Damage		+20	dBm	
Operating Temperature	0	+25	+60	$^{\circ}$ C	TA

TYPICAL PERFORMANCE

Attenuation vs Control Voltage
At 100 MHz



DAICO Industries

310.507.3242 • FAX 310.507.5701 • www.daico.com