

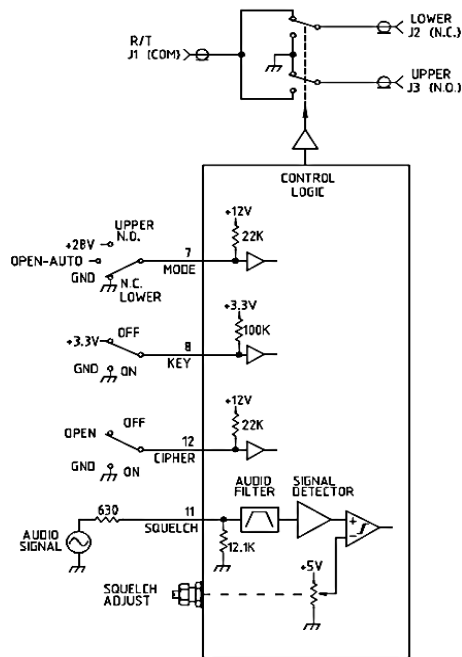
### FEATURES

- Frequency Range: DC – 400 MHz
- Low Insertion Loss: 0.22dB
- High Isolation: 75dB
- RF Power Operating: 50dBm/100W
- VDC Supply: +28V
- Failsafe Mode to Lower Antenna
- Auto Cycle Mode between Upper & Lower Antenna
- Key Function: Memory Auto selects Antenna which last signal was received

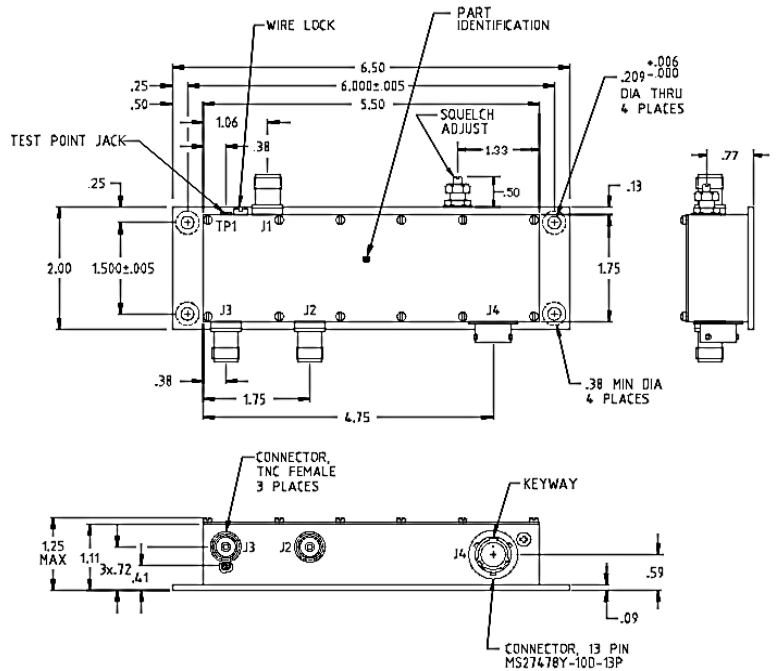


### APPLICATIONS: MILITARY AIRCRAFT

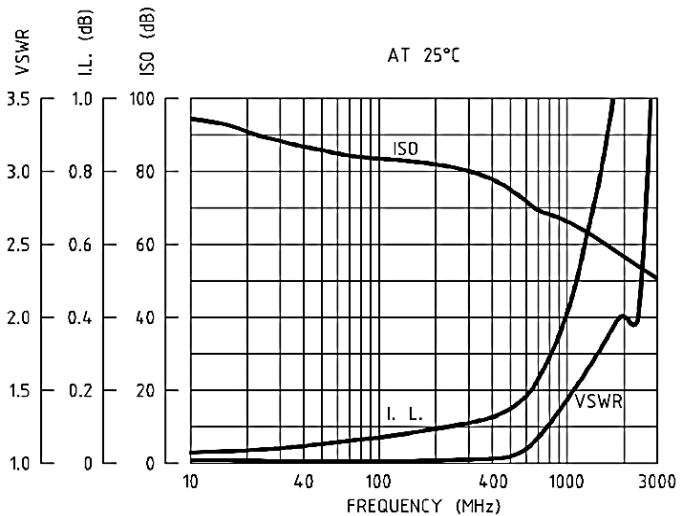
### FUNCTIONAL BLOCK DIAGRAM



### OUTLINE DRAWING



### TYPICAL PERFORMANCE



### PRODUCT SPECIFICATION

Parameter	Min	Typ.	Max.	Units	
Frequency	DC		400	MHz	
DC Current		100	150	mA	+28VDC Supply
Insertion Loss		0.22	0.5	dB	
Isolation	40	75		dB	
VSWR		1.07:1	1.25:1		
Impedance		50		$\Omega$	
Switching Speed		2	5	msec	50% TTL to 90%/10% RF
RF Power Operating			50	dBm Avg.	
			57	dBm Peak	
Temperature	-54	+25	+71	$^{\circ}\text{C}$	Ta