

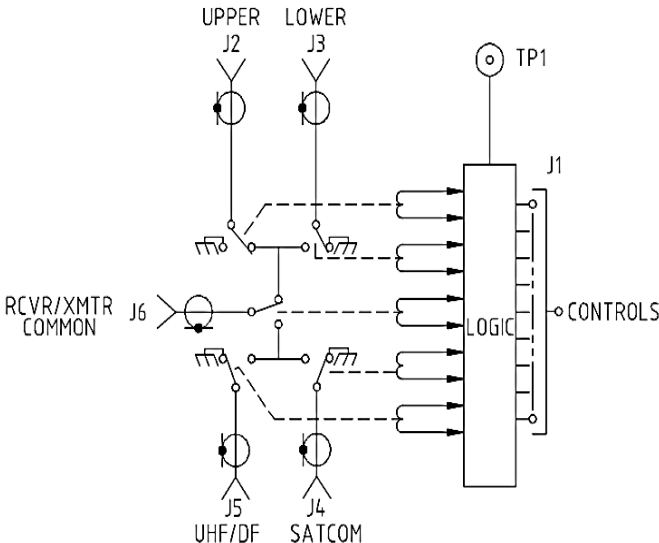
**FEATURES**

- Frequency Range: 30 – 400 MHz
- Low Insertion Loss: 0.5dB
- RF Power Operating: 50dBm/100W
- VDC Supply: +28V
- Failsafe Mode: COM to Upper Antenna
- Auto Cycle Mode: Between Upper & Lower Antenna
- Key Function: Memory Auto selects Antenna which last signal was received

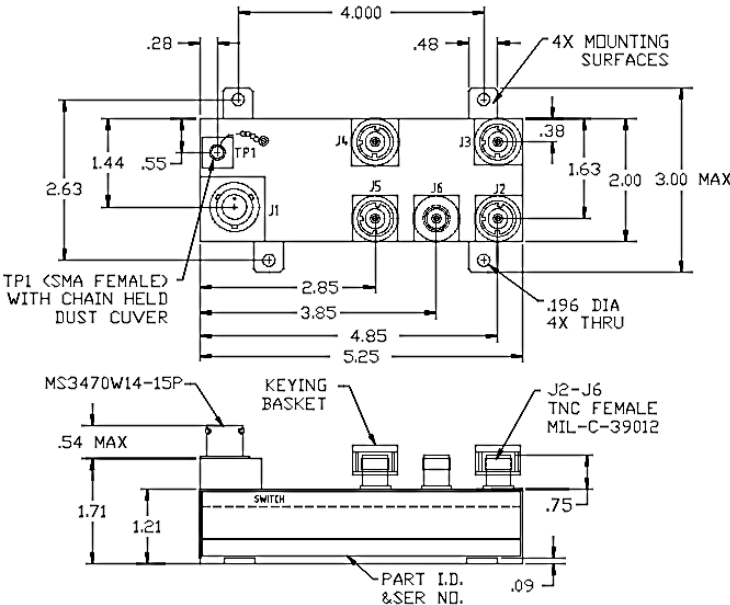


**APPLICATIONS: MILITARY AIRCRAFT**

**FUNCTIONAL BLOCK DIAGRAM**



**OUTLINE DRAWING**



**PRODUCT SPECIFICATION**

Parameter	Min.	Typ.	Max.	Units	
Frequency	30		400	MHz	
DC Current		130	150	mA	+28VDC Supply
Insertion Loss		0.5	0.8	dB	
Isolation	30	37		dB	
VSWR		1.2:1	1.3:1		
Impedance		50		Ω	
Switching Speed		2.6	5	msec	50% TTL to 90%/10% RF
RF Power Operating			50	dBm	Avg.
Temperature	-54	+25	+71	°C	

**TYPICAL PERFORMANCE**

