

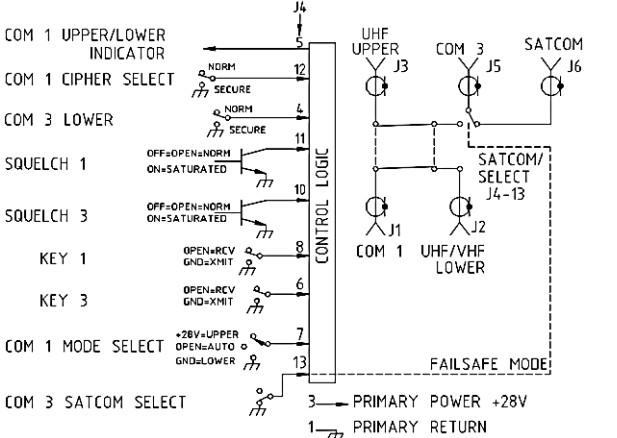
FEATURES

- Frequency Range: 30 – 512 MHz
- Low Insertion Loss: 0.4dB
- High Isolation: 70dB
- RF Power Operating: 50dBm/100W
- VDC Supply: +28V
- Failsafe Mode: COM1 to Lower Antenna & COM3 to SATCOM Antenna
- Auto Cycle Mode: between Upper & Lower Antenna
- Key Function: Memory Auto selects Antenna which last signal was received

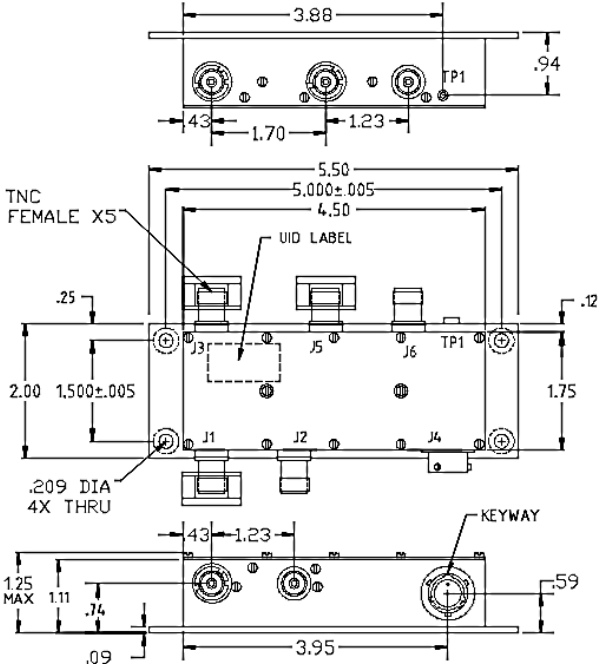


APPLICATIONS: MILITARY FIGHTER AIRCRAFT

FUNCTIONAL BLOCK DIAGRAM



OUTLINE DRAWING



PRODUCT SPECIFICATION

Parameter	Min.	Typ.	Max.	Units	
Frequency	30		512	MHz	
DC Current		210	350	mA	+28VDC Supply
Insertion Loss		0.21	0.25	dB	J5-J6 @ 30 MHz
		0.25	0.50	dB	30 MHz-399.975 MHz
		0.40	0.60	dB	400 MHz-512 MHz
Isolation: J1-J2/J1-J3	70	84		dB	30 MHz-399.975 MHz
	J5-J6, J5-J2/J5-J3	65	80		dB
Isolation - SATCOM	67	70		dB	30 MHz-292.975 MHz
	63	67		dB	293 MHz-349.575MHz
	56	62		dB	350 MHz-422.975 MHz
	53	55		dB	423 MHz-512 MHz
VSWR:		1.15:1	1.25:1		30 MHz-399.975 MHz
		1.2:1	1.35:1		400 MHz-512 MHz
Impedance		50		Ω	
Switching Speed		1.8	5.0	msec	50% TTL to 90%/10% RF
RF Power Operating			50	dBm	Avg.
			57	dBm	Peak
Temperature	-54	+25	+71	°C	Ta

TYPICAL PERFORMANCE

