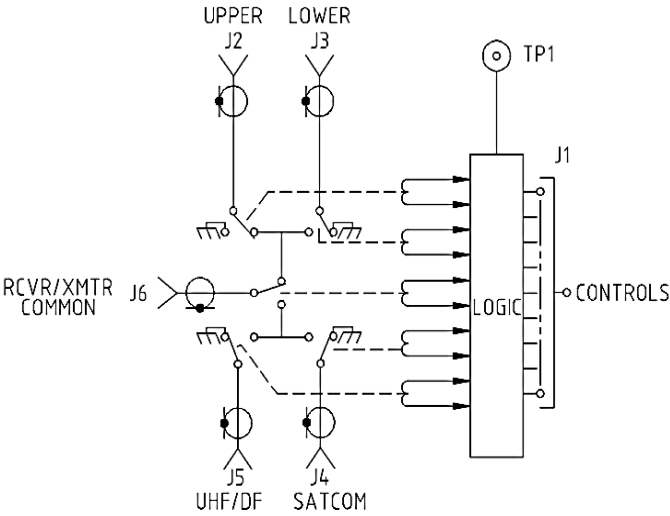


### FEATURES

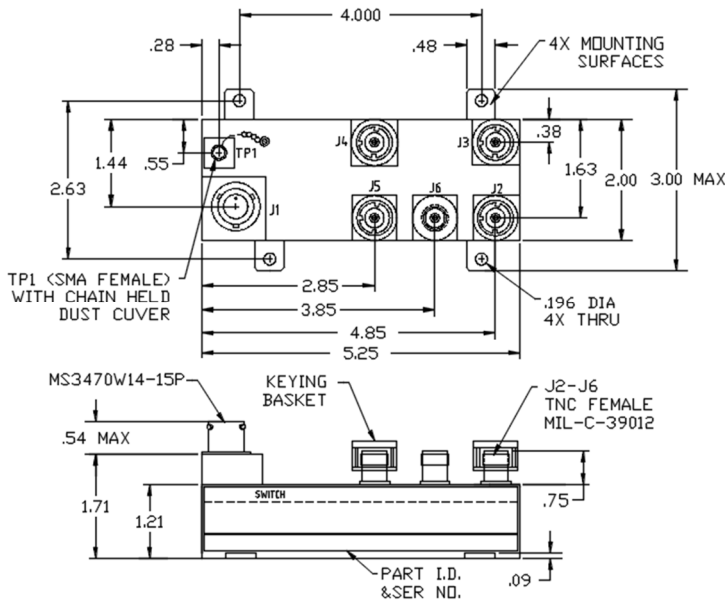
- Frequency Range: 30 – 400 MHz
- Low Insertion Loss: 0.5dB
- RF Power Operating: 50dBm/100W
- VDC Supply: +28V
- Failsafe Mode: COM to Upper Antenna
- Auto Cycle Mode: Between Upper & Lower Antenna
- Key Function: Memory Auto selects Antenna which last signal was received

### APPLICATIONS: MILITARY AIRCRAFT

### FUNCTIONAL BLOCK DIAGRAM



### OUTLINE DRAWING



### PRODUCT SPECIFICATION

Parameter	Min.	Typ.	Max.	Units	
Frequency	30		400	MHz	
DC Current		130	150	mA	+28VDC Supply
Insertion Loss		0.5	0.8	dB	
Isolation	30	37		dB	
VSWR		1.2:1	1.3:1		
Impedance		50		$\Omega$	
Switching Speed		2.6	5	msec	50% TTL to 90%/10% RF
RF Power Operating			50	dBm	Avg.
Temperature	-54	+25	+71	$^{\circ}\text{C}$	

### TYPICAL PERFORMANCE

