

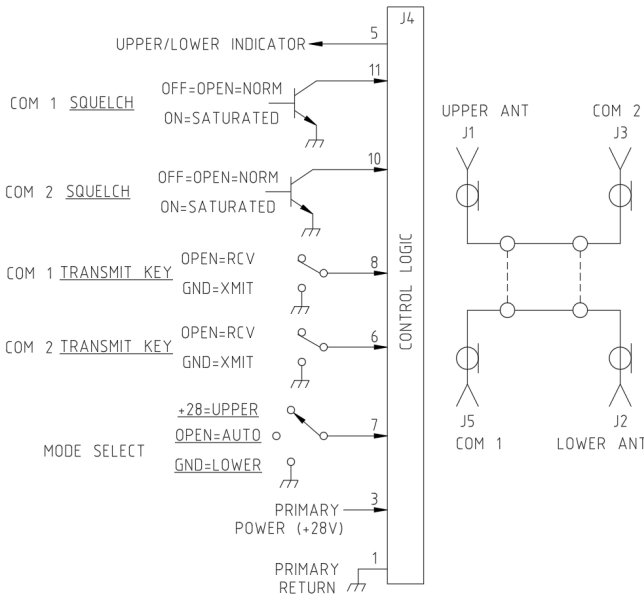
FEATURES

- Frequency Range: 30 – 500 MHz
- Low Insertion Loss: 0.28dB Typical
- High Isolation: 58dB
- RF Power Operating: 100W AM, 125W FM
- VDC Supply: +28V
- Failsafe Mode COM1 to Lower Antenna/COM2 to Upper Antenna
- Auto Cycle Mode between Upper & Lower Antenna
- Key Function: Memory Auto selects Antenna which last signal was received

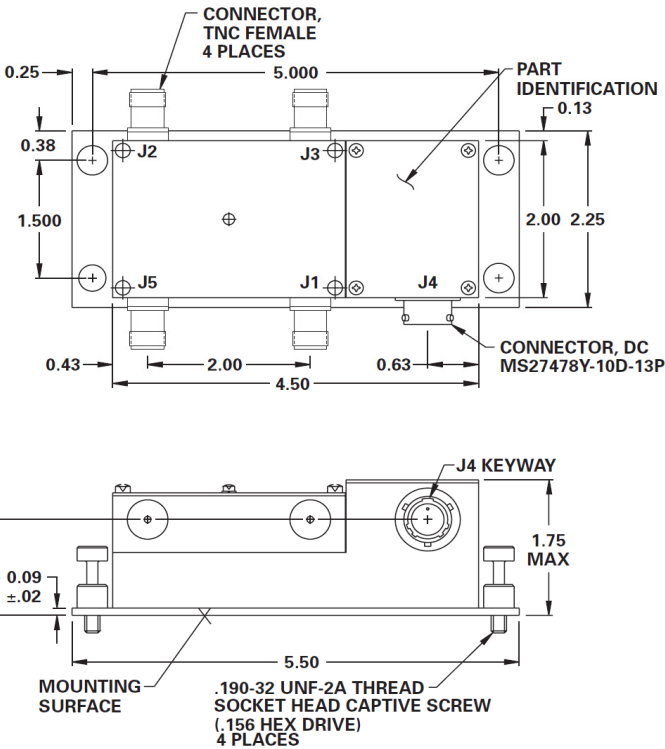


APPLICATIONS: MILITARY FIGHTER AIRCRAFT

FUNCTIONAL BLOCK DIAGRAM



OUTLINE DRAWING



PRODUCT SPECIFICATION

| Parameter | Min. | Typ. | Max. | Units | |
|-------------------------------|------|-----------------------------|--------|-------|-----------------------|
| Frequency | 30 | | 500 | MHz | |
| DC Current | | 310 | 350 | mA | +28VDC Supply |
| Insertion Loss | | 0.21 | 0.5 | dB | 30-400 MHz |
| | | 0.28 | 0.6 | dB | 400-500 MHz |
| Isolation | 50 | 58 | | dB | |
| VSWR | | 1.12:1 | 1.25:1 | | 30-400 MHz |
| | | 1.25:1 | 1.35:1 | | 400-500 MHz |
| Impedance | | 50 | | Ω | |
| Switching Speed | | 2.0 | 30 | msec | 50% TTL to 90%/10% RF |
| RF Power Operating | | | 100 | Watt | AM |
| | | | 125 | Watt | FM |
| Fail Safe NO Electrical Power | | COM 1 Thru to Lower Antenna | | | |
| | | COM 2 Thru to Upper Antenna | | | |
| Temperature | -54 | +25 | +71 | °C | Ta |

TYPICAL PERFORMANCE

