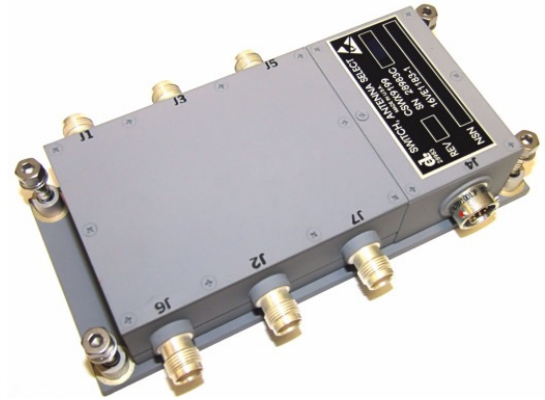


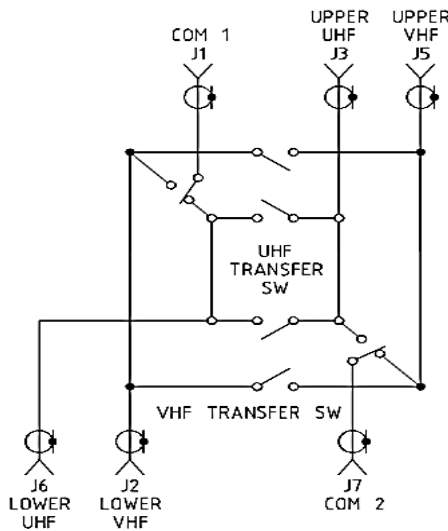
FEATURES

- Frequency Range: 30 – 500 MHz
- Low Insertion Loss: 0.36dB
- High Isolation: 53dB
- RF Power Operating: 44.8dBm/30W
- VDC Supply: +28V
- Failsafe Mode COM1 to Lower Antenna/COM2 to Upper Antenna
- Auto Cycle Mode between Upper & Lower Antenna
- Key Function: Memory Auto selects Antenna which last signal was received

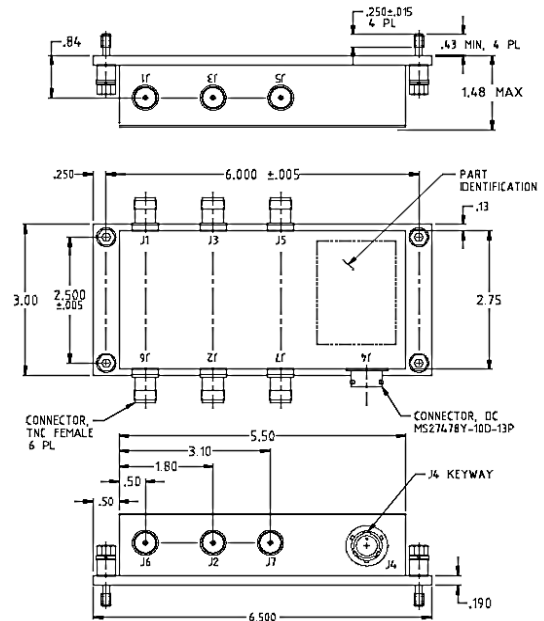


APPLICATIONS: MILITARY FIGHTER AIRCRAFT

FUNCTIONAL BLOCK DIAGRAM



OUTLINE DRAWING



PRODUCT SPECIFICATION

Parameter	Min.	Typ.	Max.	Units	
Frequency	30		500	MHz	
DC Current		300	350	mA	+28VDC Supply
Insertion Loss		0.36	0.5	dB	30-400 MHz
		0.42	0.6	dB	400-500 MHz
Isolation	50	53		dB	
VSWR		1.12:1	1.25:1		30-400 MHz
		1.3:1	1.35:1		400-500 MHz
Impedance		50		Ω	
Switching Speed		2.0	30	msec	50% TTL to 90%/10% RF
RF Power Operating			44.8	dBm	Avg.
			51.8	dBm	Peak
Fail Safe NO Electrical Power		COM 1 Thru to lower UHF Antenna			
		COM 2 Thru to upper VHF Antenna			
Temperature	-40	+25	+71	°C	Ta

TYPICAL PERFORMANCE

