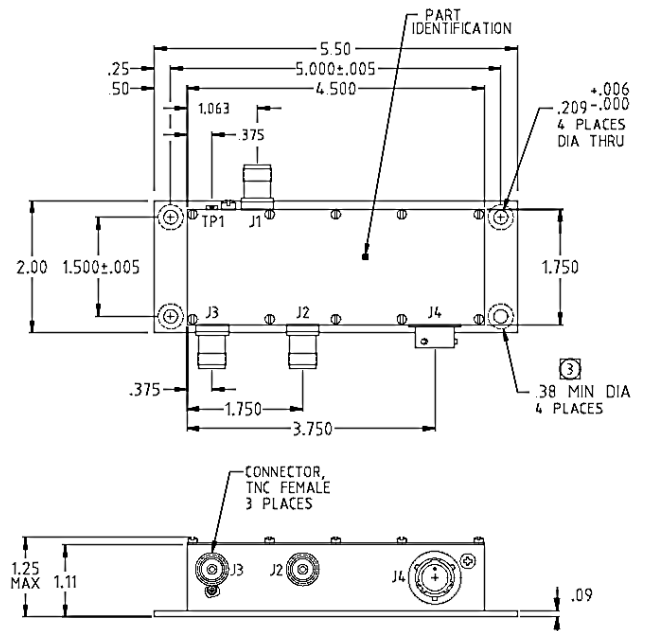


### FEATURES

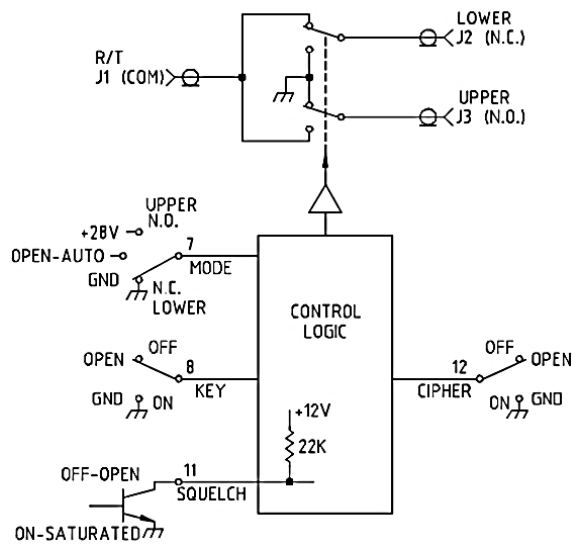
- Frequency Range: DC – 400 MHz
- Low Insertion Loss: 0.22dB
- High Isolation: 75dB
- RF Power Operating: 50dBm/100W
- VDC Supply: +28V
- Failsafe Mode to Lower Antenna
- Auto Cycle Mode between Upper & Lower Antenna
- Key Function: Memory Auto selects Antenna which last signal was received



### OUTLINE DRAWING



### FUNCTIONAL BLOCK DIAGRAM



### PRODUCT SPECIFICATION

Parameter	Min.	Typ.	Max.	Units
Frequency	DC		400	MHz
DC Current		100	150	mA +28VDC Supply
Insertion Loss		0.22	0.5	dB
Isolation	40	75		dB
VSWR		1.07:1	1.25:1	
Impedance		50		Ω
Switching Speed		2.0	5	msec 50% TTL to 90%/10% RF
RF Power Operating			50	dBm Avg.
			57	dBm Peak
Temperature	-54	+25	+71	°C Ta

### TYPICAL PERFORMANCE

